

The most affordable heat pump fully integrated with your hot tub system

## in.temp mini

### **Unleash energy savings with a budget-friendly investment**

The Gecko in.temp mini offers an unbeatable price point for a fully, integrated heat pump making energy savings simple and accessible to all hot tub owners.

### **Seamless integration for effortless control**

No confusing setups! Just like our other in.temp heat pumps, our new mini is thoughtfully designed to seamlessly integrate with the Gecko mobile application and compatible keypads. All this with a hassle-free installation that does not require any additional power connection. It's plug-and-play from the Gecko control system!

### **Whisper-quiet comfort for unforgettable relaxation**

So small and quiet, it's been designed to be forgotten! With convenience in mind, the Gecko in.temp mini boasts a sleek, sober and remarkably compact design that fits easily into any decor style. Out of sight, out of mind! With a remarkably low 51,2 dB(A ) in operation mode, you won't even know it's there!

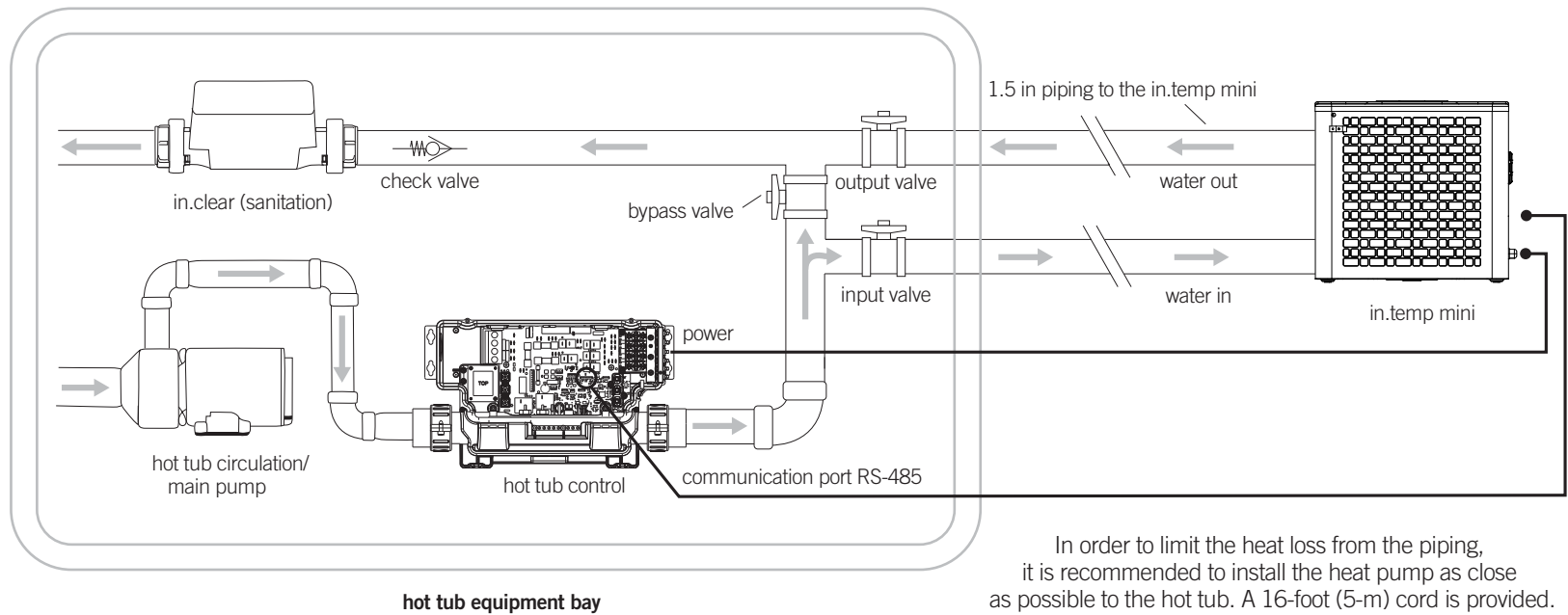


Not for  
North  
American  
Market

# in.temp mini

Whisper-quiet, with affordable, seamless integration

## installation

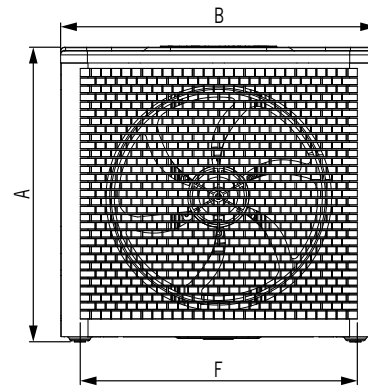


## specifications

### CE models 3.0kW

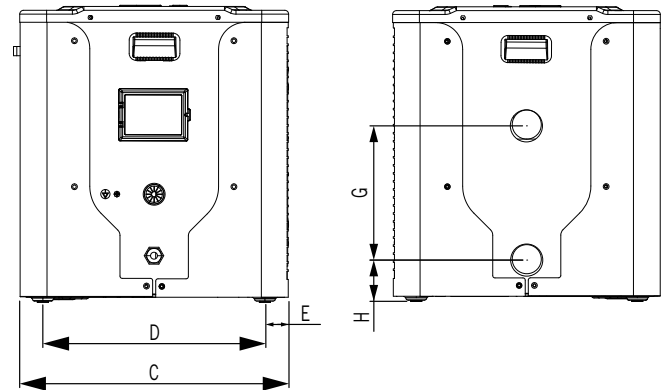
Environmental ratings	
Operating temperature:	-0°C (32.0°F) to 43 °C (109 °F)
Water resistance:	IPX4
Mechanical	
Compressor:	Rotary (Gree)
Pressure:	Min: 2.1 MPa (304,58 psi) Max: 4.4 MPa (638,17 psi)
Refrigerant:	R32/180 g (6,35oz)
Weight:	Net: 21,5 kg (47,4 lbs) Gross: 23 kg (50,71 lbs)
Carton box size:	458 x 450 x 410 mm 18,3 x 17,72 x 16,14 in
Minimum flow rate:	1.2 M <sup>3</sup> /h (5,28 GPM)
Best efficiency flow rate:	2,27 M <sup>3</sup> /h (10 GPM)
Flow detector:	Flow switch
Noise at 1 m:	51,2 dB(A)
Electrical	
Input supply:	220 V ~ 240 V, 50 Hz
Rated power:	0.93 kW
Rated current <sup>1</sup> :	4.21 A
Communication supply:	10-12 Vdc, 80mA
Performance	
Heating capacity <sup>2</sup> :	3,032 kW
Power input:	0,687 kW
COP:	4.41
Heating capacity <sup>3</sup> :	1,945 kW
Power input:	0,628 kW
COP:	3.10

## dimensions



### Gecko-3.0kW

A	385 mm (15,16 in)
B	412 mm (16,22 in)
C	350 mm (13,78")
D	290 mm (11,42")
E	30 mm (1,18")
F	360 mm (14,17")
G	176 mm (6,93 in)
H	55 mm (2,17 in)



<sup>1</sup> Wire gauge and breaker size should be dimensioned according to the maximum current rating.  
<sup>2</sup> Based on the following operating conditions: 24°C (75°F) Ambient air, 26°C (79°F) Water inlet.  
<sup>3</sup> Based on the following operating conditions: 15°C (59°F) Ambient air, 26°C (79°F) Water inlet.

## compatibility

To obtain information about compatibility with your hot tub system, please refer to the QR code provided here.



Example SN: 221880836  
YYDDZZZZ

YY: Year of manufacturing  
DDD: Day of the year  
ZZZZ: Sequential Number



The in.temp mini is also supported by the in.touch 2 mobile app. So even if your hot tub is not equipped with any of the keypads below, you can still control your in.temp mini via the in.touch 2 device.

### Wide selection of keypads (auto-detected by the system upon connection)



in.k330  
color LCD display, 5 keys



in.k500  
color LCD display, 7 keys



in.k800  
color LCD display, 10 keys



in.k1000+  
color LCD capacitive  
touchscreen display



in.k1001+  
color LCD capacitive  
touchscreen display



integration kit  
Unlock seamless compatibility  
with legacy Gecko hot tub systems