

The most affordable
heat pump fully
integrated with
your hot tub system

in.temp mini

Unleash energy savings with a budget-friendly investment

The Gecko in.temp mini offers an unbeatable price point for a fully integrated heat pump, making energy savings simple and accessible to all hot tub owners.

Seamless integration for effortless control

No confusing setups! Just like our other in.temp heat pumps, our new mini is thoughtfully designed to seamlessly integrate with the Gecko mobile application and compatible keypads. All this with a hassle-free installation that does not require any additional power connection. It's plug-and-play from the Gecko control system!

Whisper-quiet comfort for unforgettable relaxation

So small and quiet, it's been designed to be forgotten! With convenience in mind, the Gecko in.temp mini boasts a sleek, sober and remarkably compact design that fits easily into any decor style. Out of sight, out of mind! With a remarkably low 49dBA in operation mode, you won't even know it's there!

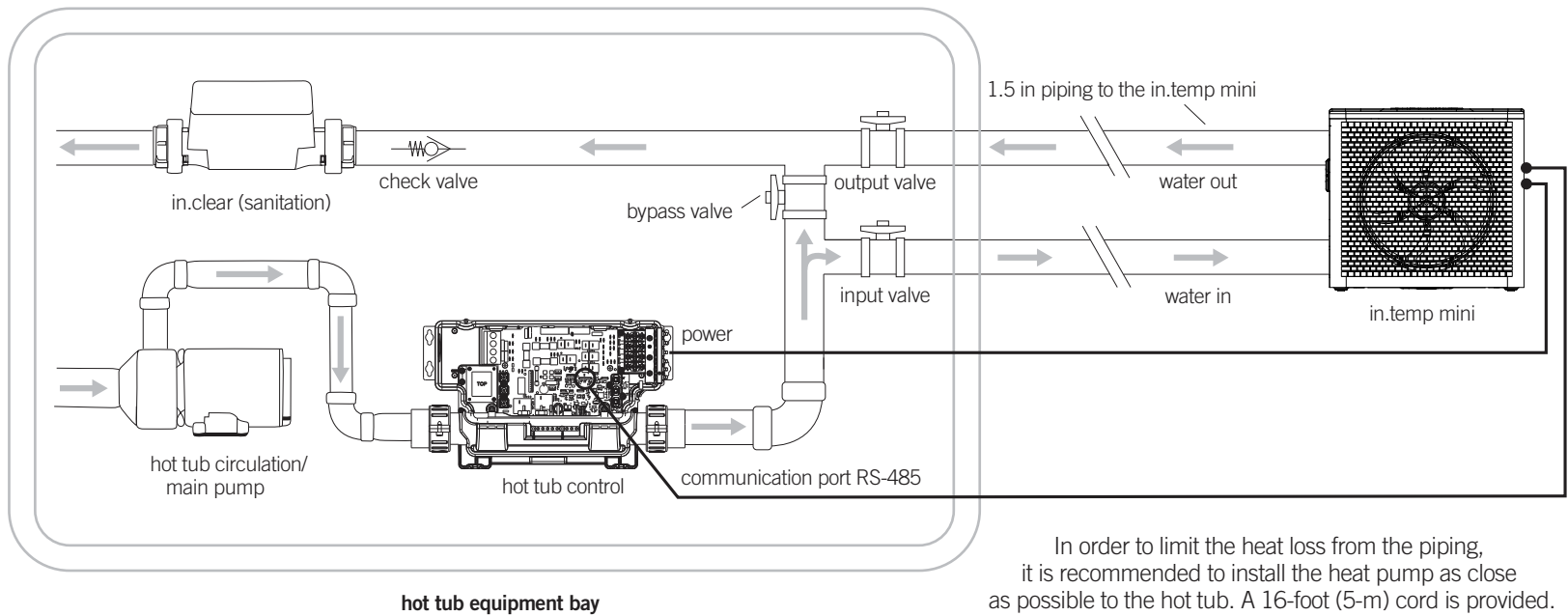


Not for
North
American
Market

in.temp mini

Whisper-quiet, with affordable, seamless integration

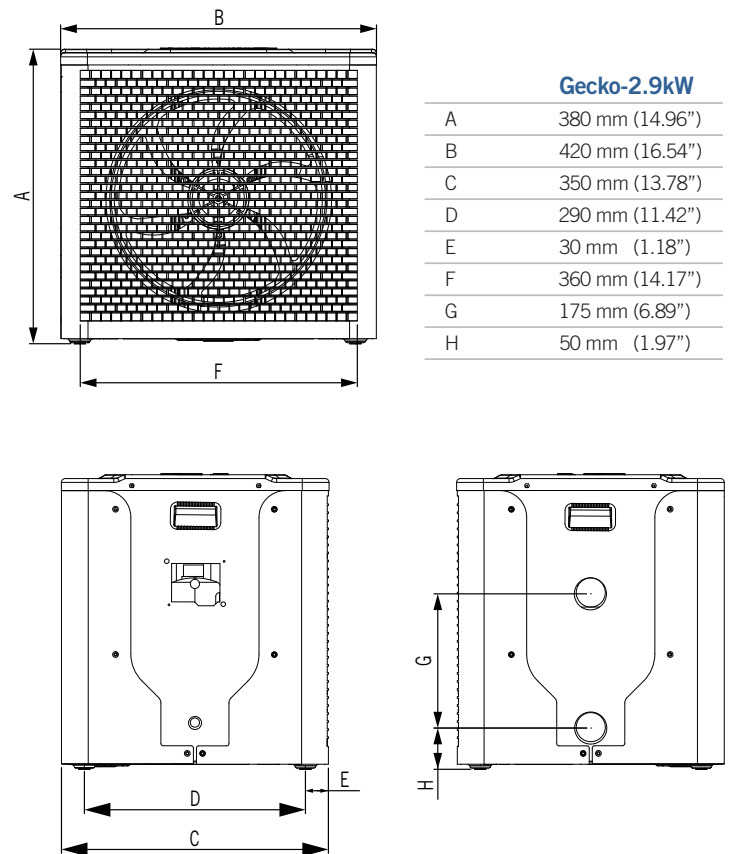
installation



specifications

Environmental ratings	CE models
Operating temperature:	-0°C (32.0°F) to 43 °C (109 °F)
Water resistance:	IPX4
Mechanical	CE models
Compressor:	Rotary (Gree)
Pressure:	Min: 2.1 MPa (304,58 psi) Max: 4.4 MPa (638,17 psi)
Refrigerant:	2.9kW R32/180 g (6,35oz)
Weight:	Net: 22 kg (48.5 lb) Gross: 29 kg (63.93lbs)
Carton box size:	458 x 450 x 410 mm 18.03 x 17.72 x 16.14 in
Minimum flow rate:	1.2 M ³ /h (5,28 GPM)
Flow detector:	Flow switch
Noise at 1 m:	49dBA
Electrical	CE models
Input supply:	220 V ~ 240 V, 50 Hz
Rated power:	2.9kW
Rated current¹:	4.21 A
Communication supply:	10-12 Vdc, 80mA
Performance	CE models
Heating capacity²:	2.9kW 3,032 kW
Power input:	0,687 kW
COP:	4.41
Heating capacity³:	1,945 kW
Power input:	0,628 kW
COP:	3.10

dimensions



¹ Wire gauge and breaker size should be dimensioned according to the maximum current rating.
² Based on the following operating conditions: 27°C (80.6°F) Ambient air, 26°C (79°F) Water inlet.
³ Based on the following operating conditions: 15°C (59°F) Ambient air, 26°C (79°F) Water inlet.

compatibility

To obtain information about compatibility with your hot tub system, please refer to the QR code provided here.



Example SN: 221880836
YYDDZZZZ

YY: Year of manufacturing
DDD: Day of the year
ZZZZ: Sequential Number



The in.temp mini is also supported by the in.touch 2 mobile app. So even if your hot tub is not equipped with any of the keypads below, you can still control your in.temp mini via the in.touch 2 device.

Wide selection of keypads
(auto-detected by the system upon connection)



in.k330
color LCD display, 5 keys



in.k500
color LCD display, 7 keys



in.k800
color LCD display, 10 keys



in.k1000+
color LCD capacitive
touchscreen display



in.k1001+
color LCD capacitive
touchscreen display



integration kit
Unlock seamless compatibility
with legacy Gecko hot tub systems