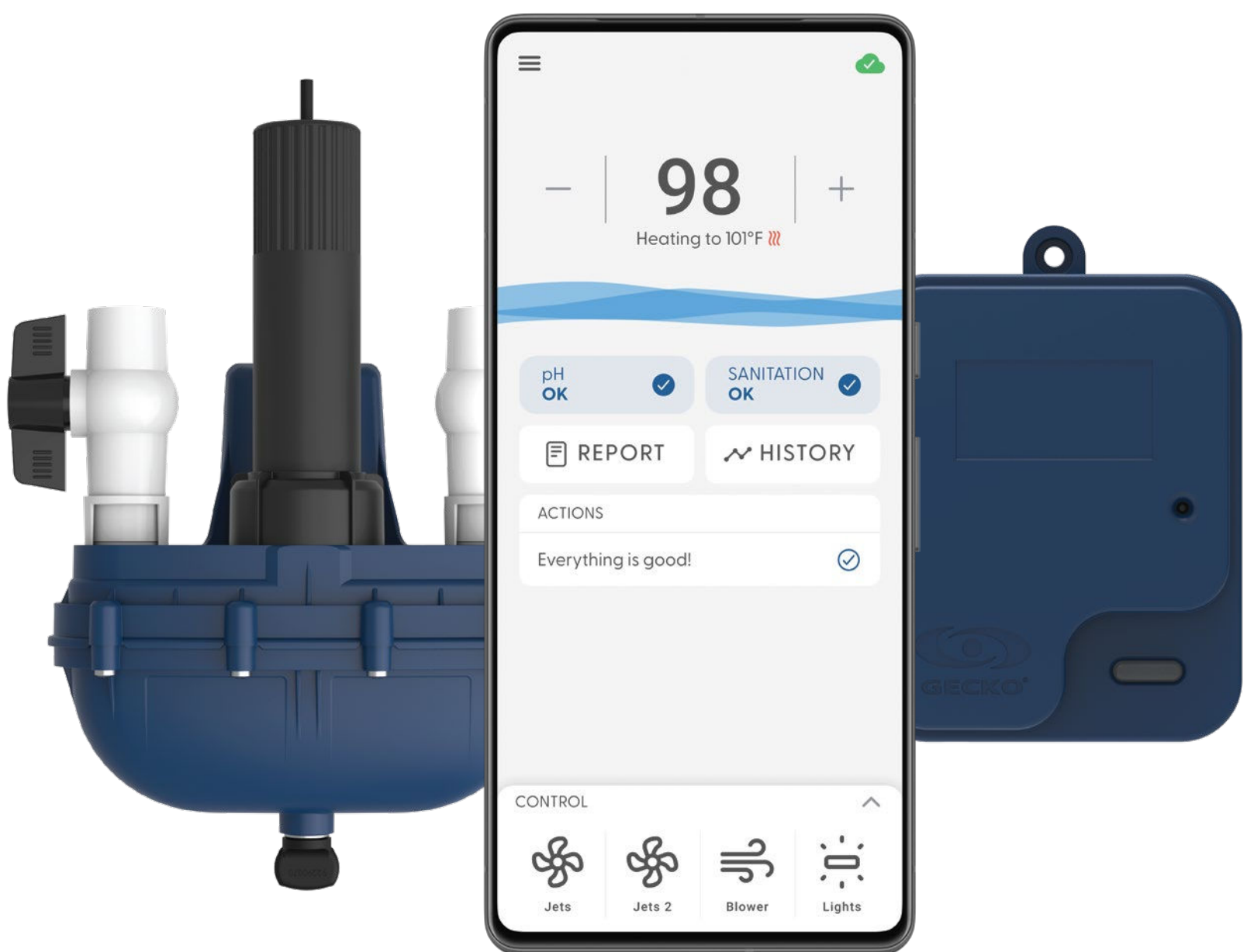


Gecko waterlab Sanitation made simple



Peace of mind

Avoid unpleasant surprises! Access to exact water measurements from anywhere without color interpretation. Continuous water monitoring with alerts and reporting allows you to minimize risk of losing water.

Simple to use

No need for a chemistry degree! Simply receive clear and easy-to-follow instructions to maintain crystal-clear water and in a single app to control your spa.

Set & forget solution

Don't replace one maintenance burden for another with an all-in-one 4-year probe calibrated once through the lifespan.



Water monitoring device

Specially designed sensing chamber for **seamless** under-the-spa inline integration

High-durability probe ensures minimal under-spa intervention

Simple installation in deviation line allowing for multiple possibilities

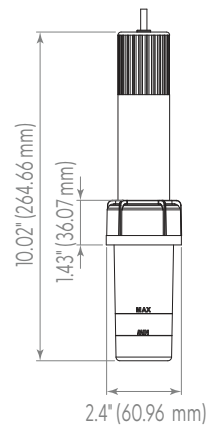
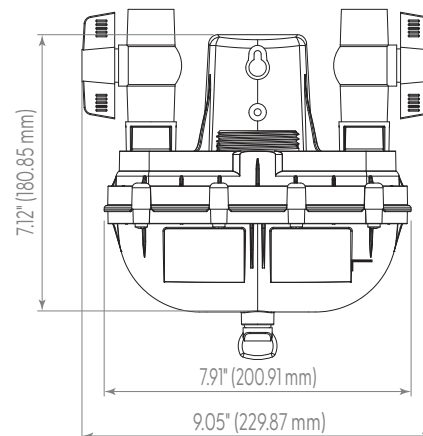
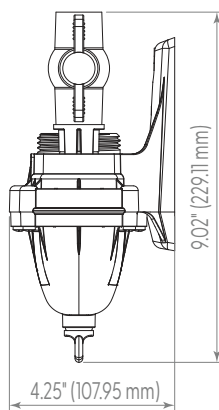
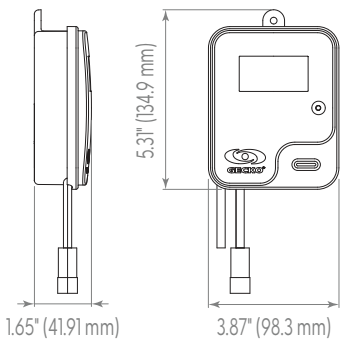
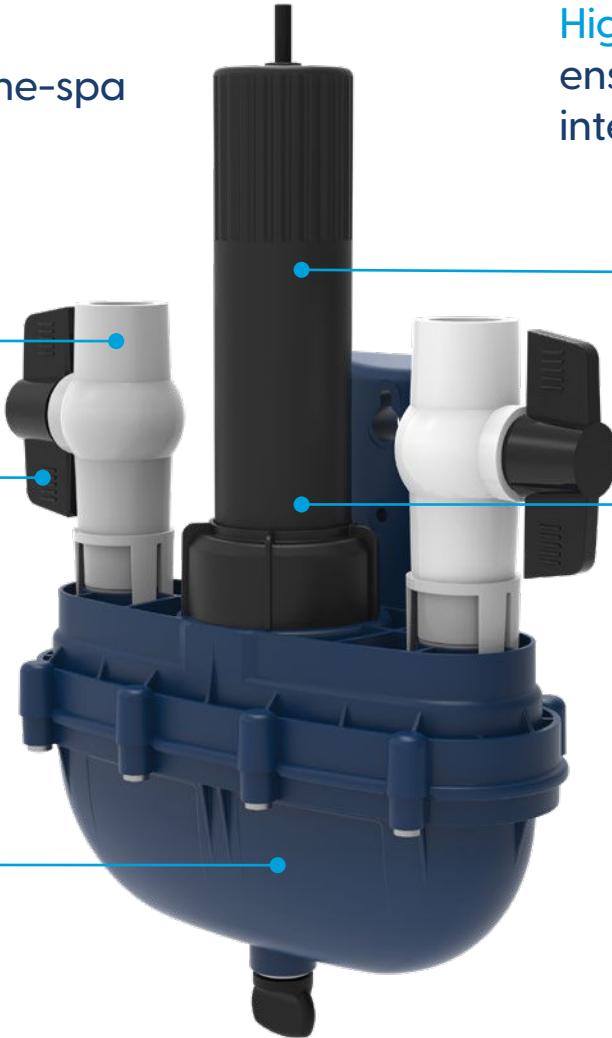
Avoid adding extra burden to regular spa maintenance such as drainage and winterization

Engineered to maximize probe life with an always-wet design and reduced water flow

Extended-life sensor minimizes replacement cycles to once every 4 years

All-in-one, high-precision sensors that monitor your water acidity, temperature and sanitation.

Minimize calibration to once over the lifetime of the probe



Application & connectivity

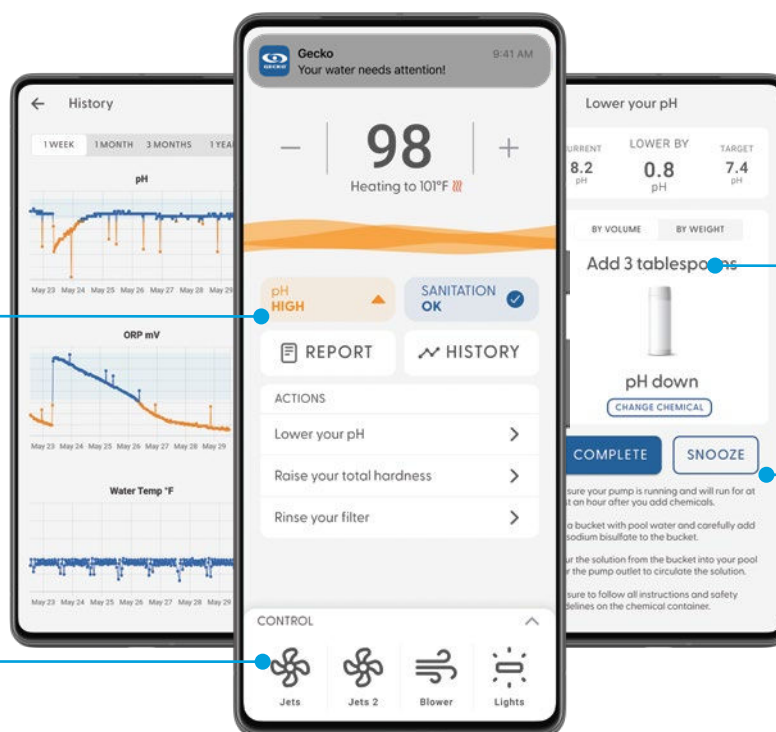
Single **app** to control your spa and monitor your water from anywhere

Powerful and reliable water recommendation engine reducing **water chemistry** confusion

Straightforward access to water quality

Accurate and reliable results thanks to strong AI-based water analysis

Control the full spa experience, from massage to maintenance, in a single app



Precise recommendations based on user's chemicals (database and crowdsourcing)

Easy-to-follow instructions to maintain crystal-clear water

Continuous evolution for more customized recommendations based on a future-proof AI-built engine



Scan the QR code to learn more about Gecko waterlab

