



TechBook

Gecko waterlab Sanitation made simple



A continuous water monitoring and recommendation solution
integrated under the spa



Table of contents

1. Warning	4
2. Introduction	6
3. Accessory Kit	7
4. Installation and Connections	9
· General setup in spa	9
· Installation of the intouch 3 & 3+	10
· Installation of the chamber in the spa	11
5. Maintenance	12
· Cleaning instructions	12
· Troubleshooting minor issue	12
· Calibration	12
6. Logistics	13
· Storage	13
· Handling	13
· Potential failure modes and causes	13
7. Troubleshooting	14
· Home Transmitter (EN Module) LED status	14
· Spa Transmitter (CO Module) LED status	14
· Pairing the Spa Transmitter (CO Module) and the Home Transmitter (EN Module)	15
· Water Acquisition (CO Module) button and LED status (Currently in Development)	16
8. Specifications	17
· Technical Specifications	17
· Environmental conditions for optimal operation	18
· List of compatible devices and systems	18

1. Warning



WARNING:

Before installing or connecting the unit, please read the following.

- * THIS UNIT MUST BE INSTALLED BY QUALIFIED/AUTHORIZED PERSONNEL. ONLY THE WM-PR PART CAN BE INSTALLED IN THE WM-CH PART BY THE END USER.
- * INSTALL THE IN.TOUCH 3-CO MODULE AT LEAST 12" (30 CM) AWAY FROM ANY METAL PART OR ANY METAL FOIL.
- * THE IN.TOUCH 3-CO MODULE SHOULD BE INSTALLED SUCH AS IT CAN BE RELOCATED UNDER THE SPA IN ORDER TO OBTAIN OPTIMAL RECEPTION AFTER FINAL INSTALLATION OF THE SPA IN THE YARD.
- * TO SATISFY FCC RF EXPOSURE REQUIREMENTS FOR MOBILE AND BASE STATION TRANSMISSION DEVICES, A SEPARATION DISTANCE OF 8" (20 CM) OR MORE SHOULD BE MAINTAINED BETWEEN THE IN.TOUCH 3 MODULES AND PERSONS DURING OPERATION; TO ENSURE COMPLIANCE, OPERATION AT CLOSER THAN THIS DISTANCE IS NOT RECOMMENDED.
- * THE ANTENNAS USED FOR THESE MODULES MUST NOT BE CO-LOCATED OR OPERATING IN CONJUNCTION WITH ANY OTHER ANTENNA OR TRANSMITTER.
- * TO POWER THE IN.TOUCH 3-EN, USE THE POWER SUPPLY UNIT PROVIDED WITH THE IN.TOUCH 3-EN.

CAUTION: TO REDUCE THE RISK OF ELECTRIC SHOCK, DO NOT DISMANTLE THE UNIT. THERE ARE NO USER SERVICEABLE PART INSIDE. REFER SERVICING TO QUALIFIED SERVICE PERSONNEL

IMPORTANT SAFETY INSTRUCTION: FOR YOUR OWN SAFETY PLEASE READ THE FOLLOWING IMPORTANT SAFETY INSTRUCTION CAREFULLY BEFORE ATTEMPTING TO CONNECT THIS UNIT TO THE MAIN POWER SUPPLY. THEY WILL ALSO ALLOW YOU TO GET THE BEST PERFORMANCE AND PROLONG THE LIFE OF THE UNIT.

LIABILITY DISCLAIMER

THE RECOMMENDATIONS PROVIDED BY THE GECKO WATERLAB ARE INTENDED FOR INFORMATIONAL PURPOSES ONLY AND ARE BASED ON THE WATER SAMPLE DATA AT THE TIME OF ANALYSIS. IT IS THE RESPONSIBILITY OF THE USER TO THOROUGHLY READ AND FOLLOW THE MANUFACTURER'S INSTRUCTIONS FOR ANY CHEMICALS OR PRODUCTS BEFORE ADDING THEM TO THE SPA. THE GECKO WATERLAB CANNOT BE HELD LIABLE FOR ANY DAMAGES OR ISSUES ARISING FROM IMPROPER USE OF CHEMICALS OR PRODUCTS, FAILURE TO FOLLOW PRODUCT GUIDELINES, OR INACCURATE WATER TESTING RESULTS. ALWAYS CONSULT THE PRODUCT'S GUIDELINES AND SEEK PROFESSIONAL ADVICE WHEN NECESSARY TO ENSURE THE SAFE AND PROPER MAINTENANCE OF YOUR SPA.

- * READ THESE INSTRUCTIONS.
- * CLEAN ONLY WITH DRY CLOTH. BEWARE THE APPLICATION OF SOME PRODUCTS COMMONLY USED AGAINST CORROSION (SUCH AS WD-40 FAMILY PRODUCTS) AS THEY COULD DAMAGE THE ENCLOSURE, DUE TO A NEGATIVE CHEMICAL REACTION BETWEEN SOME INDUSTRIAL OILS AND ITS PLASTIC ENCLOSURE. ANY OTHER MATERIALS WHICH MAY COME IN CONTACT WITH THE ENCLOSURE MUST BE CAREFULLY EVALUATED UNDER END USE CONDITIONS FOR COMPATIBILITY.
- * DO NOT INSTALL NEAR ANY HEAT SOURCES.
- * ONLY USE ATTACHMENTS/ACCESSORIES SPECIFIED BY THE MANUFACTURER.
- * REFER ALL SERVICING TO QUALIFIED SERVICE PERSONNEL. SERVICING IS REQUIRED WHEN THE APPARATUS HAS BEEN DAMAGED IN ANY WAY, SUCH AS POWER-SUPPLY CORD OR PLUG IS DAMAGED, LIQUID HAS BEEN SPILLED OR OBJECTS HAVE FALLEN INTO THE APPARATUS, DOES NOT OPERATE NORMALLY, OR HAS BEEN DROPPED

WARNINGS: Before installing or connecting the unit, please read the following

- * DO NOT DISASSEMBLE OR ALTER THE APPARATUS
- * DO NOT USE FOAM TO ISOLATE THE UNIT
- * TURN POWER OFF BEFORE MODIFYING ANY CABLE CONNECTION IN THIS UNIT
- * TURN POWER OFF BEFORE CLEANING OR SERVICING THIS UNIT
- * PRODUCT MUST BE DISPOSED OF SEPARATELY FROM NORMAL HOUSEHOLD IN ACCORDANCE WITH LOCAL WASTE DISPOSAL LEGISLATION
- * DO NOT SERVICE THIS PRODUCT YOURSELF
- * ANY DAMAGED CABLE MUST BE IMMEDIATELY REPLACED BY QUALIFIED PERSONNEL.
- * THESE PRODUCTS MUST NOT BE INSTALLED IN PROXIMITY OF HIGHLY FLAMMABLE MATERIALS.

-
-
- * IMPROPER WIRING MAY CAUSE DAMAGE TO THIS CONTROL SYSTEM. READ AND FOLLOW ALL WIRING INSTRUCTIONS WHEN CONNECTING TO POWER SUPPLY.
 - * PRODUCT MUST BE DISPOSED OF SEPARATELY IN ACCORDANCE WITH LOCAL WASTE DISPOSAL LEGISLATION.
 - * THIS APPLIANCE IS NOT INTENDED FOR USE BY PERSONS (INCLUDING CHILDREN) WITH REDUCED PHYSICAL, SENSORY OR MENTAL CAPABILITIES, OR LACK OF EXPERIENCE AND KNOWLEDGE, UNLESS THEY HAVE BEEN GIVEN SUPERVISION OR INSTRUCTION CONCERNING USE OF THE APPLIANCE BY A PERSON RESPONSIBLE FOR THEIR SAFETY.
 - * CHILDREN SHOULD BE SUPERVISED TO ENSURE THAT THEY DO NOT PLAY WITH THE APPLIANCE.
 - * MEANS FOR DISCONNECTION MUST BE INCORPORATED IN THE FIXED WIRING IN ACCORDANCE WITH THE WIRING RULES.
 - * PARTS INCORPORATING ELECTRICAL COMPONENTS, EXCEPT REMOTE CONTROL DEVICES, MUST BE LOCATED OR FIXED SO THAT THEY CANNOT FALL INTO THE BATH OR SPA.
 - * PARTS ARE TO BE INSTALLED IN THE CORRECT ZONE AND EQUIPOTENTIAL BONDING CARRIED-OUT IN ACCORDANCE WITH THE WIRING RULES.
 - * CLEARANCE AND MINIMUM DISTANCE BETWEEN THE VARIOUS PARTS OF THE APPLIANCE AND THE SURROUNDING STRUCTURE ARE NOT SPECIFIED AS LONG AS THEY ARE SUFFICIENT SO THAT THE AMBIENT TEMPERATURE AROUND THE CONTROLLER DOES NOT EXCEED 60°

DISPOSAL OF THE PRODUCT

THE APPLIANCE (OR THE PRODUCT) MUST BE DISPOSED OF SEPARATELY IN ACCORDANCE WITH THE LOCAL WASTE DISPOSAL LEGISLATION IN FORCE.



COMPATIBILITY REQUIREMENTS

in.touch 3 & 3+ modules for FCC (North America) models (915 MHz):

in.touch 3 & 3+ modules for ETSI (Europe) models (868 MHz):

The in.touch 3 & 3+ are compatible with the following spa controllers (spa packs): in.yj, in.ye, and in.yt, versions 2 and higher.

Note: The spa pack name (in.yj, in.ye, in.yt) and version (V2, V3, etc.) can be found on the ID label attached to the front cover of the spa pack. The spa pack version is located in the "Options" section of the ID label, and the name is in the "Model" section.

in.touch 3 & 3+ application:

Compatible with devices running: iOS 8.0 or higher Android 2.3 or higher

ROUTER AND INSTALLATION REQUIREMENTS

Any standard router with an available 100 Mbps (wired LAN) RJ45 port can be used. The router must also have its Port 10022 open, which is normally a default setting. A 3-foot (0.9 m) Ethernet cable is included.

The home transmitter will need a main supply (120V in North America, 220V in Europe) nearby to allow connection of the transformer.

Gecko®, and their respective logos are Registered Trademarks of Gecko Alliance Group. in.touch 3™, in.xm2™, in.xe™, in.yt™, in.ye™, in.therm™ and their respective logos are Trademarks of Gecko Alliance Group.

All other product or company names that may be mentioned in this publication are tradenames, trademarks or Registered Trademarks of their respective owners.

2. Introduction



Peace of mind

Avoid unpleasant surprises! Access to exact water measurements from anywhere without color interpretation. Continuous water monitoring with alerts and reporting allows you to minimize risk of losing water.

Simple to use

No need for a chemistry degree! Simply receive clear and easy-to-follow instructions to maintain crystal-clear water and in a single app to control your spa.

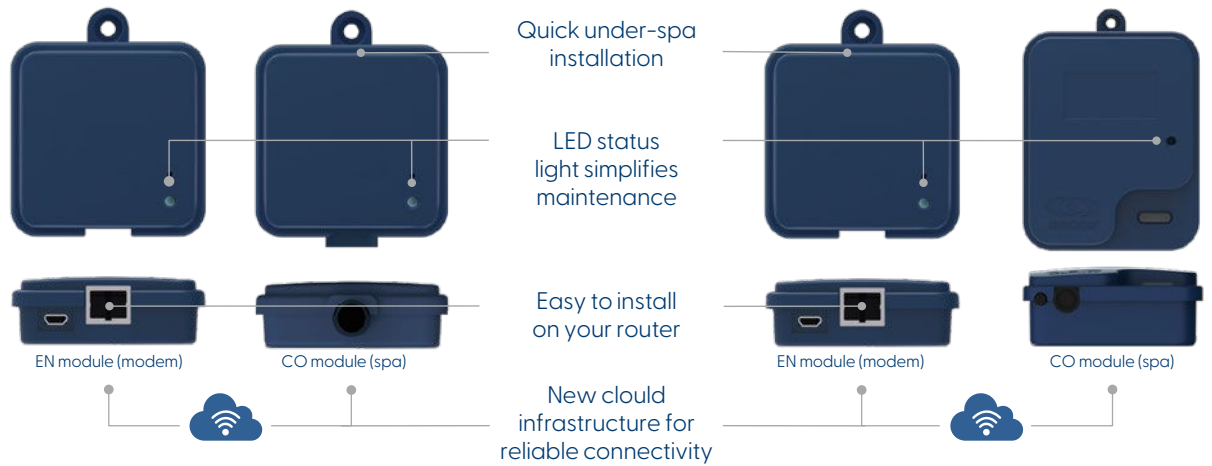
Set & forget solution

Don't replace one maintenance burden for another with an all-in-one 4-year probe calibrated once through the lifespan

3. Accessory Kit

in.touch 3
spa connectivity only

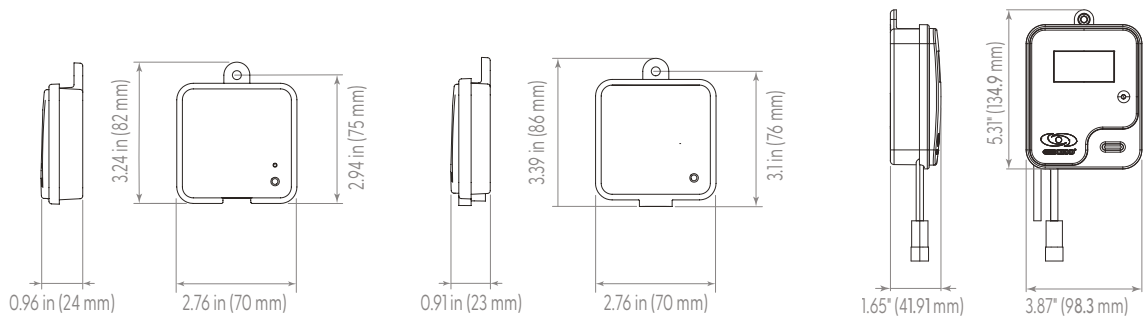
in.touch 3+
connectivity and water monitoring



in.touch 3 & 3+ (EN module)

in.touch 3 (CO module)

in.touch 3+ (CO module)



Purposely designed sensing chamber for seamless under-the-spa inline integration

High-durability probe ensures minimal under-spa intervention

Simple installation in deviation line allowing for multiple possibilities

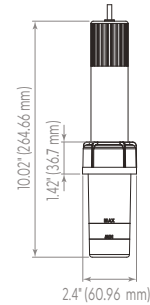
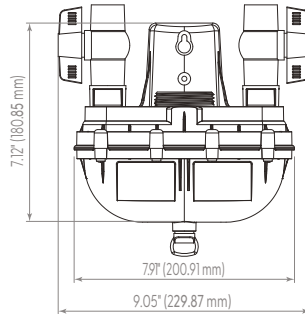
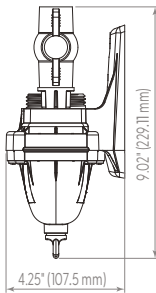
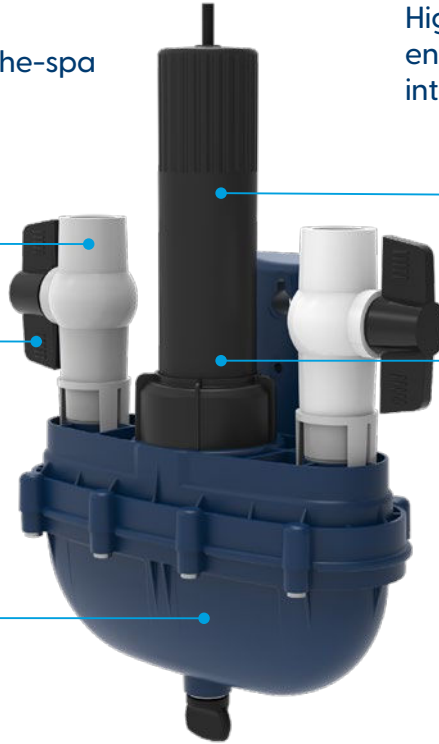
Avoid extra burden to regular spa maintenance such as drainage and winterization

Engineered to maximize probe life with an always-wet design and reduced water flow

Extended-life sensor minimizes replacement cycles to once every 4-years

All-in-one, high-precision sensors that monitor your water acidity, temperature, and sanitation.

Minimize calibration to once over the lifetime of the probe



Included Products:

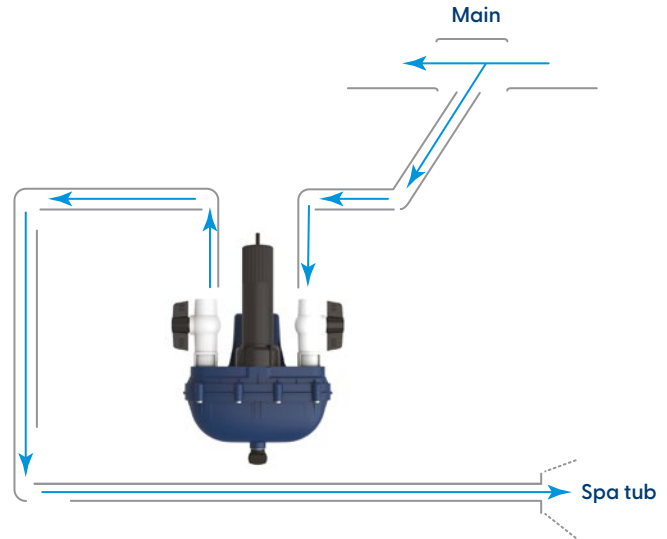
- CO Module (Spa)
- EN Module (Home)
- Ethernet cable
- Micro USB power supply
- Gecko waterlab probe
- Gecko waterlab probe storage bottle
- Gecko waterlab chamber
- Test strips

4. Installation and Connections

General setup in spa

Install the chamber on a dedicated bypass and connect the outlet directly to the spa tub

- The chamber must be installed after the filter
- The chamber must be installed before any water treatment device (UV, Ozonator, etc.)
- Piping and hardware are at the discretion of the installer. Our recommendations :
 - Use 3/8-inch, 1/2-inch, or 3/4-inch tubing for the deviation line to the chamber
 - Use PVC piping solvent glue to install parts on reading chamber valves
- The minimum recommended flow in the chamber is 0.5 GPM.



Important notice

- The probe must be kept in temperature above 0°C (32°F).
- The probe must avoid long air exposure (over 15 min).
- Prior to any installation procedures, turn off the power of the spa



Chamber installation position and orientation

The chamber must be accessible for valve manipulations, draining, probe installation, and pressure gauge reading.

The chamber should be oriented so that the probe and valves are at a vertical angle of $\pm 5^\circ$ in any direction.

This ensures correct probe functioning and allows air to flow out of the chamber

Installation of the in.touch 3 & 3+ module

CO module (Spa) installation



Prior to any installation procedures, turn off the power of the spa

Install the CO module unit under the hot tub skirt as high as possible in a corner facing towards your home router.

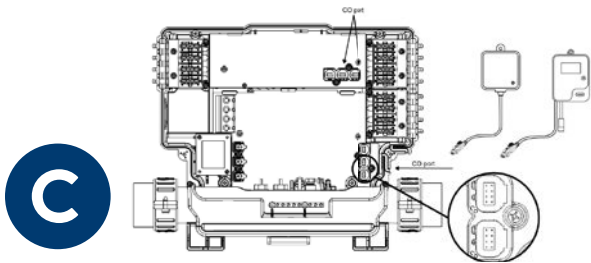
The CO module should be at least 12" (30 cm) from any metal component or structure.

This is necessary to ensure optimal transmission. In some cases, it may be necessary to relocate the unit once the spa is installed in the yard to guarantee proper signal transmission and distance.



Screw the CO module with a # 8 pan head screw and leave some slack on the cable

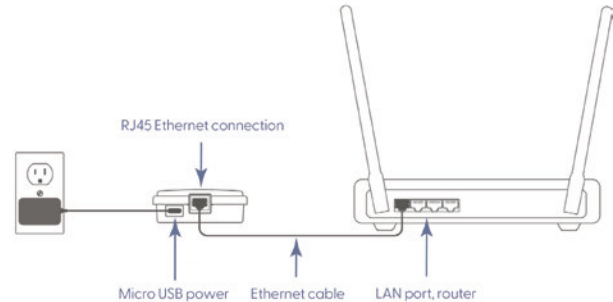
This will enable the module to be repositioned to optimize the signal strength in the yard.



Connect the CO module into an available CO port of the control system

Note that the CO module only has a single CO cable and must be installed at the end of the CO chain if more than a single accessory is installed on the same CO port of the control system.

EN (Home) installation



To allow communication between the CO and EN module, the EN module needs to be installed on a router.



1 Connect the power supply of the EN module.



2 Connect your home router to the EN module using the LAN port with the ethernet cable.

Installation of the chamber in the spa

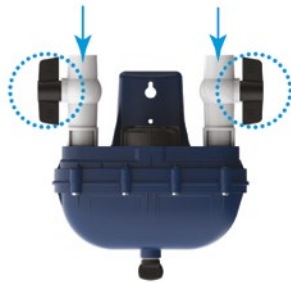


1

Secure the chamber in the spa (2 ways)

Use 2x #8 screws through the holes in the support.
or

Use 2x 8-32 screw to use the 2 fixations in the back of the chamber support.

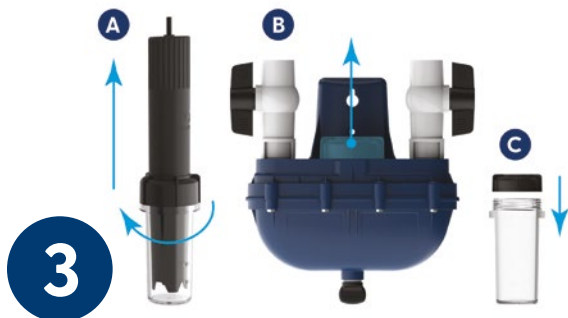


2

Install the desired size barb fittings provided on the two valves

Ensure that the valves are closed before installing the tube to the chamber system.

Note : There is no specific flow direction in the chamber. The inlet and outlet can be connected to any valve..



3

A- Remove the probe from its storage bottle

B- Remove the top cover of the chamber

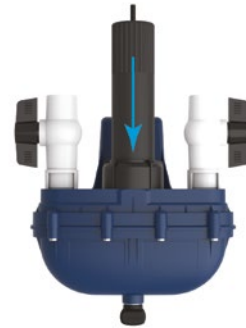
C- Screw it on top of the storage bottle once the probe has been removed

Important notice :

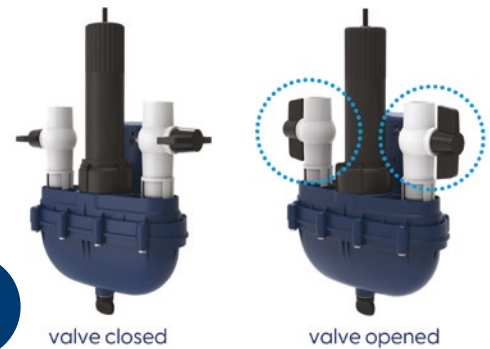
- The probe must be kept in temperature above 0°C (32°F)
- The probe must avoid long air exposure (over 15 min)

4

Slide the probe in the chamber and handscrew the nut



5



valve closed

valve opened

Ensure the chamber valves are open and fill the spa

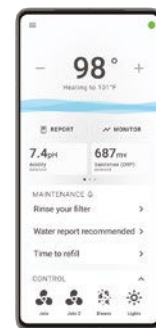
Fill the spa or open the proper valve to let the water circulate in the chamber.

6



Plug the probe cable connector to the short cable on the CO module)

7



Follow further instruction on the app

Note : After startup, the readings should stabilize within 30 minutes after water circulation begins in the chamber.

5. Maintenance (calibration and replacement)

Cleaning Instructions

The solution used to clean pH/ORP electrodes depends on the presence of possible contaminants. pH/ORP electrodes may show slow response due to sensor coatings or reference clogging. Use the guide below to choose the appropriate cleaning solution options:

- For general cleaning: Soak the pH/ORP electrode in 0.1 M HCl or 0.1 M HNO₃ for 20 minutes. Alternatively, an ORP electrode's platinum or gold sensor plate or band can be swabbed with an isopropyl or ethyl alcohol if convenient. Rinse well in deionized or tap water before use.
- For removal of protein deposits: Soak the pH electrode in a solution containing 1% pepsin and 0.1M HCl for 15 minutes to 1 hour depending on how dirty it may be. Rinse well in deionized or tap water before use. (NOTE: Pepsin is readily available as a powder from a lab supply house).
- If it is likely that the electrode was stored dry for an extended period and the reference junction may be dried or have the crystal formation in the pores, soaking the electrode in warm soaking/storage solution (-50 °C) may accelerate the reconditioning of the reference junction.

After any of the cleaning procedures, it is good practice to thoroughly rinse the electrode with deionized water, recondition, and recalibrate the electrode.

Troubleshooting minor issues

Improper conditioning may involve the glass pH sensor not being properly “hydrated”, or the reference junction not fully prepared for ion - sharing. For example, the pores of the reference junction may have dried potassium chloride crystals that need to be wetted to “recharge” the salt bridge function of the reference junction. Signs of improper conditioning may be:

- 1) Inaccuracy of a pH electrode soon after calibration
- 2) Unstable, erratic, or extremely drift readings
- 3) Lack of signal, or over- range situation if the reference junction is not working at all (meter dependent)

If it is likely that the electrode was stored dry for an extended period and the reference junction may be dried or have the crystal formation described above in the pores, soaking the electrode in warm soaking/storage solution (-50 °C) may accelerate the reconditioning of the reference junction. However, prolonged drying conditions could severely damage the glass pH sensor. After conditioning the electrode, rinse with deionized water. The electrode is ready for calibration and measurement.

Calibration

pH Electrodes

Since glass pH electrodes measure the H⁺ (hydrogen ion) concentration (or activity) relative to their reference half- cells, they must be calibrated once during its lifetime (after two years of use) to ensure accurate, repeatable measurements. It is important to use reliable pH Buffers to calibrate your pH electrode For more information follow the steps present in the Gecko app.

6. Logistics (Things to Keep in Mind)

Storage

The pH or ORP Electrode's sensing end should never be stored dry. Always maintain moisture at the sensor and reference junction. Proper electrode storage maximizes electrode performance and extends electrode life. It is best to store electrodes in clean containers with its storage bottle filled with soaking liquid. Oftentimes a soaker bottle will have a sponge or cotton ball in the bottom – the purpose of the sponge is to maintain some solution in the event of a spill. However, it is best to store the electrode with solution present.

Do not store an electrode in deionized water - this will cause ions to leach out of the pH glass sensing bulb and the reference junction, destroying the electrode over time. Improper storage will cause the same type of issues mentioned in the troubleshooting minor issues section mentioned above.

After a few months of storage, check the condition of the probe to detect any issues. If there is mold or crystal formation, clean the probe and replace the storage solution

Handling

During shipment it is possible for air bubbles to form in the glass pH sensing bulb. The presence of such a bubble can cause a host of problems on the meter display ranging from inaccuracy to instability, to no reading at all. To remove air bubbles, shake the electrode's sensing end down in the same manner as a clinical thermometer until the bubble is dislodged and the glass sensor bulb is filled with solution. This is not an issue for ORP Electrodes. Rinse electrodes with deionized water (distilled or deionized water) before and after measuring a sample. Blot the end of the electrode with lint - free paper to remove excess water.

NOTE: Never wipe or rub the electrode to remove excess water - wiping can create static charges that interfere with correct pH measurement.

Potential failure modes and causes

Cracked glass membrane:

Reading could be all over the range or none

Slope out of range:

Inaccurate reading: when slope becomes low, pH becomes high in acid and low in base

Impedance out of range:

The pH response can become sluggish or non-stable

Biofouling:

The pH can become erratic

7. Troubleshooting

The product is consisted of a total of three LEDs representing the three main boards present within the product. The Home Transmitter board (contained within the EN Module), the Spa Transmitter board (contained within the CO Module) and the Water Monitoring board (contained within the CO module) The CO and EN module communicate together via an RF link while the Water monitoring board communicates directly to the CO transmitter board since they are both contained within the CO module. The Home Transmitter is responsible for the Ethernet communications, the Spa Transmitter is responsible for the spa communications and the Water Monitoring board is responsible for acquisition of water sampling.

Home Transmitter (EN Module) LED status

This module's LED can show various status conditions, as indicated below.

Rapidly flashing YELLOW color:

The Home Transmitter is in pairing mode when this color is shown (the pairing switch was pressed). Until a pairing successfully completes, the application cannot connect to the spa. To complete the pairing, you must turn off the spa (using its breaker), wait a few seconds and then flip back the breaker to on. The pairing will then occur within a few seconds. If not, then the Spa Transmitter is either incorrectly connected, out of range, or defective.

If the in.touch 3 modules were previously paired and the pairing switch is accidentally pressed, simply unplug the Home Transmitter USB power cord and re-plug it (thereby resetting the Home Transmitter). The modules should then normally reconnect together.

Once out of pairing mode, the Home Transmitter will display another color.

For each of the following colors, the information applies whether the LED is blinking or not. If the LED is blinking, please also refer to the Blinking LED section below.

RED color:

The Home Transmitter is not detecting a router. Until this is resolved, the application cannot connect to the spa.

Make sure the router is powered and working correctly (i.e. test it using another computer or device connected to the same LAN port you intend to use). Make sure the Ethernet cable is correctly

connected at each end (LAN port on router end, and the Home Transmitter.) If the problem still occurs, try connecting with another cable. If a computer (or other device) works fine on the LAN port, and the cable is fine, then the home transmitter is likely defective.

GREEN color:

The Home Transmitter is connected to a router (an IP address was assigned), but the in.touch 3 server is not reachable.

This is very likely a router configuration issue, so refer to your router's User Manual. It may be due to Port 10022 being closed. Normally, this port is open by default in commercial routers, but different routers may have different behaviors.

If Port 10022 is confirmed as open, then some other internal configuration is preventing the router from accessing Internet. The server may also simply be temporarily "offline" for servicing/maintenance, so try again later. The problem can also be due to the Internet connection (WAN), a router misconfiguration, or your Internet Service Provider (ISP) has issues with its network connection.

BLUE color:

This is the normal state of the Home Transmitter LED. It has a full Internet connection, with access to the in.touch 3 server. If your device and application have access to the Internet (either via Wi-Fi or cellular data such as 3G, 4G, or LTE), then you're good to go!

Spa Transmitter (CO Module) LED status

This module's LED can show various status conditions, as shown below.

Rapidly flashing YELLOW color:

The Spa Transmitter is in pairing mode when this color is shown. This normally briefly occurs automatically during power-up of the spa (i.e. right after the breaker is flipped on). This could also occur if the Spa Transmitter was never paired (which is very unlikely, as they are shipped paired from factory). Refer to the pairing section below if your unit has not been paired, so you may complete the process.

BLUE color:

This is the normal state of the Spa Transmitter LED. If the Spa Transmitter also shows solid blue, you are all set! If this LED is blinking, refer to the Blinking LED section below.

Blinking LED:

On both modules, if the LED is blinking about once per second, it means that the RF link is not established between them (i.e. each in.touch 3 module cannot communicate with its counterpart). This can occur for several reasons.

Review the following and perform the tests in the order given below:

Unpaired:

As the modules are shipped paired from the factory, this is not a likely cause, but it is the easiest test to perform in the field. Simply attempt to pair them again. Please refer to the Pairing section for instructions on pairing below.

Modules out of range:

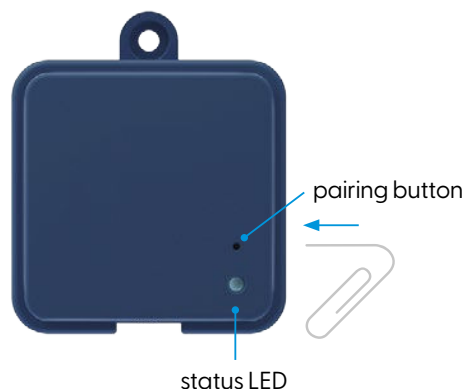
If the pairing test above does not resolve the problem, then the modules may be too far from each other for an effective RF link. To test this, simply connect the Home Transmitter outside, close to the spa (via an extension cord for power).

A router connection is not needed for this test. If the module LEDs no longer blink, an RF link was established which confirms the hypothesis that the modules were too far apart. Getting the modules closer together somehow is the only solution. If moving the modules closer together does not stop the LEDs from blinking, attempt to pair them again. If this pairing fails even though the RF modules are near each other, then one or both modules are defective, replace them.

Pairing the Spa Transmitter (CO Module) and the Home Transmitter (EN Module)

The pairing process is used when you need to replace one module of the in.touch 3 kit. Otherwise, the in.touch 3 arrives pre-paired from the factory.

- 1) Power up the Home Transmitter



- 2) Press on the pairing button with a paper clip or some similar tool. When the pairing mode is active the status LED flashes YELLOW in a rapid pattern. The Home Transmitter is then in pairing mode and will remain in this mode until it pairs with an Spa Transmitter, or until it is reset (power cycled).
- 3) Shut off the spa's breaker (thus turning off the Spa Transmitter), wait a few seconds, and then flip the breaker back on. Within a few seconds, the pairing operation should complete, and the Home Transmitter status LED will no longer be YELLOW.

NOTE: in.touch 3 modules can be paired as often as necessary, but can only be paired with a single counterpart module at a time. Once paired, the modules store this information permanently until the next pairing operation. Pairing information is stored in non-volatile memory, so pairing is not required after a power failure. Only a Home Transmitter can initiate a pairing, so it is important that the pairing begin with putting the home transmitter module in pairing mode. If several spas are powered up at the same time with a Home Transmitter in pairing mode (for instance, in a dealer showroom), only the 1st spa to successfully connect to the Home Module will pair. As this can be random, it is recommended that only 1 spa be powered up at a time during the pairing process.

Water Acquisition (CO Module) button and LED status (currently in development)



The CO module of the in.touch 3+ also contains a button with a visible LED status. The main purpose of the LED is to identify the status of the Gecko waterlab probe or as mentioned in the application section, enter specified modes such as calibration mode or take on demand samples.

LED Button troubleshooting

Blinking blue LED

This is the normal state of the Water Acquisition button. If both the CO and EN modules show solid blue, you are all set! For any other colors or patterns, refer below for troubleshooting.

Full red LED (in development)

A solid red color would indicate that there is no probe connected to the CO module. As such, it is currently impossible to acquire any water chemistry data. Please verify if a probe is present and/or if it is connected to the in.touch 3 CO module.

Full Yellow Light (in development)

A yellow light would indicate that physical connection has been established with the probe, but this probe has not yet been identified/associated. This behaviour is normal once the prob is received as the association of the probe is done through the setup flow on the in.touch 3 app. Please refer to the in.touch 3 app for more details on the setup flow

Full Purple Light (in development)

A full purple light is an indication that there was an issue with the latest updates which resulted in a firmware error. Therefore, the connection between the water characterisation board and the CO board may be disrupted. To revert the firmware to its last firmware, the LED button must be long pressed (5 seconds). The LED status light should then start blinking purple at a frequency of about 2 blinks per second. The process of reverting back to the last update may take up to several minutes.

8. Specifications

Technical Specifications

Weight

Probe: 552.5g

intouch 3 module: 320.5g

Chamber: 618g

EN moduel: 63.5g

Power requirement: EN, 5Vdc/510mA

Gecko waterlab, 12Vdc/70mA

Chamber Max pressure: 18psi

Environmental conditions for optimal operation

Probe

Operating & storage temperature: 32°F (0°C) to 176°F (80°C)

Gecko waterlab

Operating temperature: -4°F (-20°C) to 140°F (60°C)

Storage temperature: -22°F (-30°C) to 185°F (85°C)

Humidity: Up to 85% noncondensing

Level of waterproofing: IPX5

List of compatible devices and systems.

in.yt, in.ye or in.yj spa systems manufactured in or after 2012



9919-101886-A
Rev. 10-2024

© Groupe Gecko Alliance inc., 2024
All trademarks or registered trademarks
are the property of their respective owners.

Gecko Alliance
450 des Canetons, Québec (Qc), G2E 5W6 Canada, 1.800.78.GECKO
www.geckoalliance.com