

in.vox™



Waterproof speakers
for outdoor use



Pools & spas
Piscines & spas



Backyard
Cours & jardins



Power boats
Bateaux de plaisance



Sail boats
Voiliers

Aeware
by gecko ®





In.vox™ waterproof speakers

In.vox™ speakers are part of Aeware by Gecko's® in.play™ series of advanced water and weatherproof AV solutions for wet environments. In.vox™ flush mounting speakers have been design to resist damage from harsh environmental conditions such as water, heat, corrosion and sun exposure.



PRECAUTIONS

Do not use the speakers beyond the peak power capacity for prolong periods of time.

Keep items using magnetic coding (e.g.: recorded tapes, watches, credit cards) away from the speakers as the magnets in the speakers may cause irreparable damage.

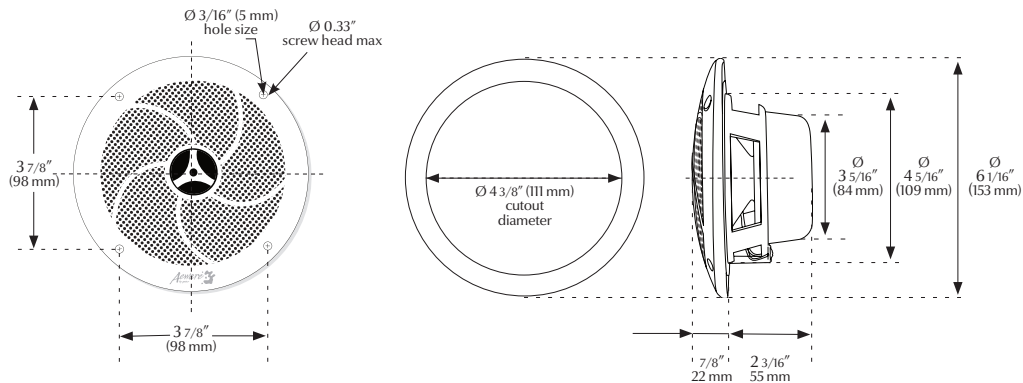
Clean the speakers with a damp cloth. Do not use any cleaners or solvents on the grille or the speaker cones.

Before installing, locate all fuel lines, hydraulic lines and electrical wiring at the installation site. Use extreme caution when cutting or drilling in and around these areas.

Speakers have powerful magnets inside which will affect a boat compass. Do not install speakers anywhere near a compass.

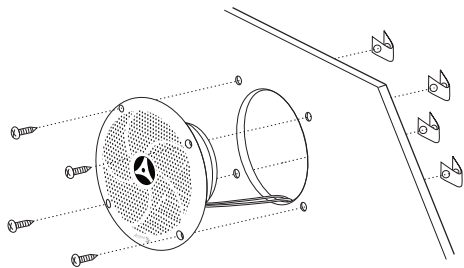


Dimensions



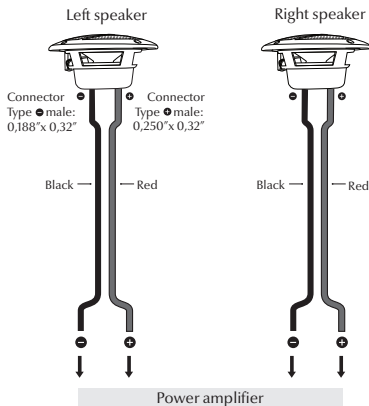


Speaker installation



Using the drilling template supplied with the unit select the most appropriate location on wall for the speakers. For flush mounting a depth of at least $2\frac{3}{16}$ " (55 mm) will be required. Mark the location and with a hole saw make a cutout of $4\frac{3}{8}$ " (111 mm) in diameter. As indicated on the template, drill the four (4) holes of $\frac{3}{16}$ " (5 mm) in diameter. Insert the speaker in place, use 4- M30 screws to fix the speakers (supplied in package to fix).

Speaker connections



Connect the speaker terminals to the Speaker In terminals on the amplifier.



General specifications:

Frequency response: 50Hz - 18 KHz

Impedance: 4 Ohms

Power handling : 30 watts

At Peak: 60 watts

Speaker type: Dual cone

Water & Wheatherproof

Mechanical:

Speaker diameter: 5.25"

Mounting Depth : 2 3/16" (55 mm)

Cutout diameter: 4 3/8" (111 mm)

Weight: 1.34 lbs (0.61 Kg)

9919-100824-B
Rev. 07/2011

© 2011 Groupe Gecko Alliance Inc.
TM trade-marks of/marques de commerce de Groupe Gecko Alliance Inc.

Gecko Alliance

450 des Canetons, Quebec City(QC) G2E5W6 Canada, 1800.78.GECKO
9225 Stellar Court, Corona, CA 92883 USA, 951.6672000

www.geckoalliance.com

Aemare
by gecko 