

# in.chant™



Digital media player for spas

## User's manual



Seamless audio integration  
in your spa!

Perfect integration of multiple audio sources  
and complete control while you're in the water

*Aeware* 3  
by GECKO •





## Table of contents

features .....	3
warning .....	4
overview	
in.chant™ dimensions .....	6
installation	
in.chant™ .....	7
keypad .....	8
connections	
speakers & supply .....	10
keypad .....	12
SIRIUS .....	13
operation	
basic .....	14
radio .....	16
satellite .....	18
USB .....	20
accessories .....	22
specifications .....	23





## in.chant™

### Digital media player for spas

The in.chant™ has been designed specifically for use in the spa environment. The unit can handle multiple digital audio sources such as USB memory sticks and universal MP3 players and it's ready for SIRIUS satellite receivers. The in.chant™ also includes an AM/FM radio receiver.

Any of those media sources can be controlled from the edge of your spa while you're in the water. Provided with our sleek in.k455™ keypad, the in.chant™ offers the most complete, comprehensive integration of digital media available for the spa environment.

The waterproof enclosure can be easily mounted underneath the skirt in almost any location. This makes the unit easy to add to the spa at the end of the production line

#### Main features

Fully waterproof

Speaker outputs 40 Watts x 4 ch.

AM/FM Tuner

SIRIUS - Ready

USB input MP3 / WMA support with ID3 tag

Auxiliary input

**WARNING**

Before installing or connecting the unit, please read the following.

**DO NOT DISASSEMBLE OR ALTER.**

Doing so may result in an accident, fire or electrical shock.

**USE THE CORRECT AMPERE RATING WHEN REPLACING FUSES.**

Failure to do so may result in fire or electrical shock.

**DO NOT BLOCK RADIATOR PANEL.**

Doing so may cause heat to build up inside and may result in fire.

**DO NOT PLACE HANDS OR FINGERS ON RADIATOR PANEL.**

Doing so may result in personal injury.

**DO NOT USE FOAM TO ISOLATE THE UNIT.**

Doing so may cause heat to build up inside and may result in fire.

**INSTALL UNIT 1" AWAY FROM OTHER SURFACES.**

Make sure to leave a clearance of at least 1" from other surfaces.

**PRECAUTIONS****Maintenance**

If you have problems, do not attempt to repair the unit yourself. Return it to your dealer or service station for servicing.

**Accessory parts**

Be sure to use only the specified accessory parts. Use of other than designated parts may damage this unit internally or may not securely install the unit in place. This may cause parts to become loose resulting in hazards or product failure.

**Disposal of the product**

The appliance (or the product) must be disposed of separately in accordance with the local waste disposal legislation in force.



## WARNING

When this equipment is provided as an audio/video component for spas, UL 1563 - 5th edition requires that the following instructions (or equivalent) be provided as part of the instruction manual for the spa equipment.

---

### PREVENT ELECTROCUTION

Do not connect any auxiliary components (for example cable, additional speakers, headphones, additional audio/video components, etc) to the system.

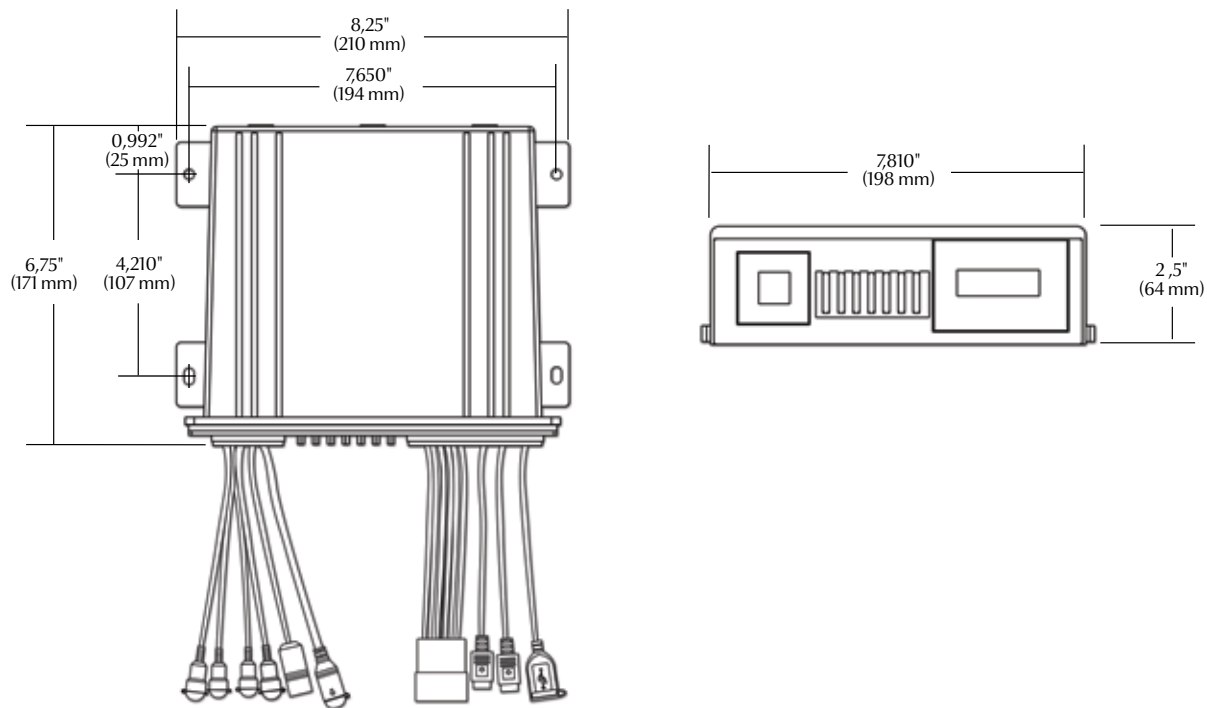
These units are not provided with an outdoor antenna; when provided, it should be installed in accordance with Article 810 of the National Electrical Code, ANSI/NFPA 70.

Do not service this product yourself as opening or removing covers may expose you to dangerous voltage or other risk of injury. Refer all servicing to qualified service personnel.

When the power supply connections or power supply cord(s) are damaged; if water is entering the audio/video compartment or any electrical equipment compartment area, if the protective shields or barriers are showing signs of deterioration; or if there are signs of other potential damage to the unit, turn off the unit and refer servicing to a qualified service personnel.

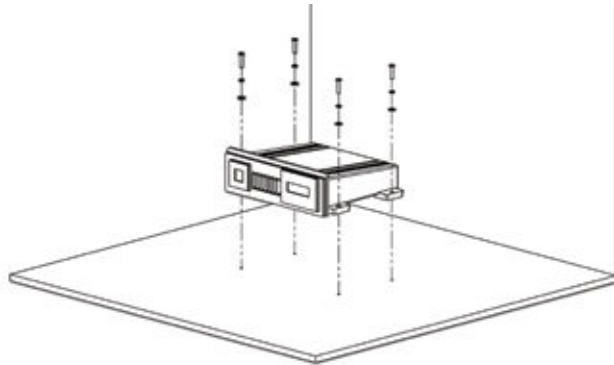
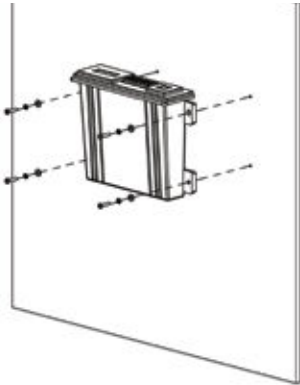


in.chant™ dimensions:





## Mounting on a horizontal or vertical surface



The in.chant™ should be installed on an even horizontal or vertical surface.

Whether horizontal or vertical, this unit should be installed at a location above the flood level of the spa.

Do not install in.chant™ in the upright position as illustrated above.

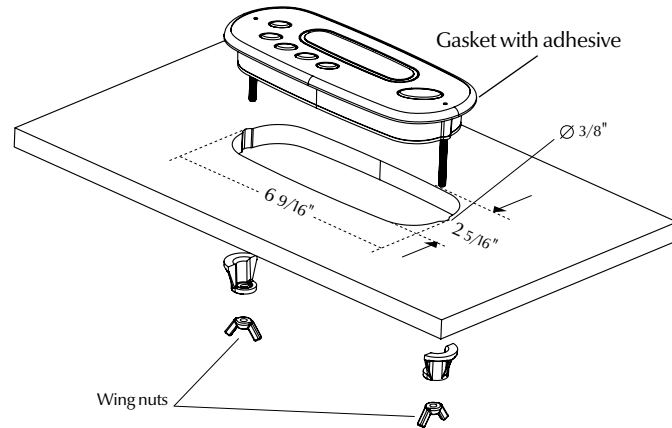
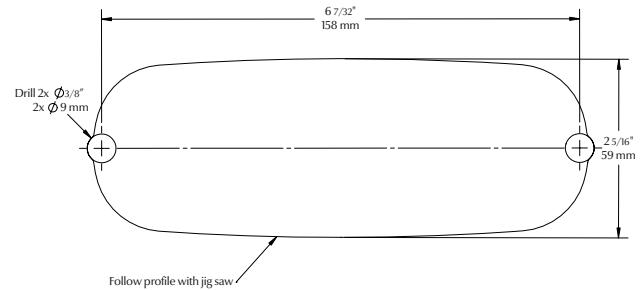




### Installation of in.k455™ with adhesive

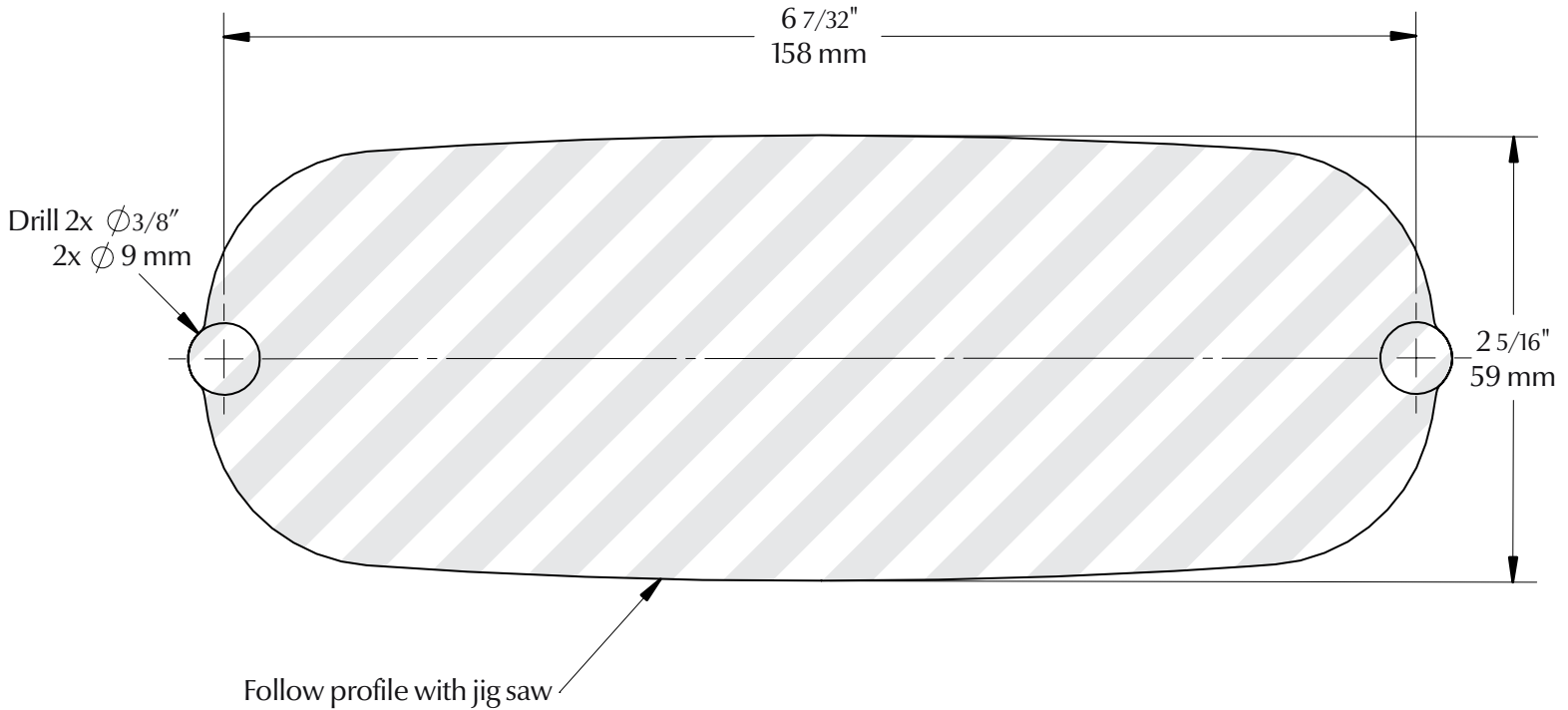
The keypad should be installed directly on the edge of the spa so that it is easily accessible to the user.

- Using the drilling template supplied with the unit, determine the mounting location and then stick the template on the location.
- Drill two 3/8" (9 mm) diameter holes at 6 7/32" (158 mm) from center to center, in the exact position according to the drilling template.
- Cut out and remove the material between the two holes following the profile with a jig saw.
- Clean the installation surface and peel the adhesive backing off the back of the keypad.
- Insert keypad and align it correctly, then secure it properly in place by using the two wing nuts provided.





Drilling template (in.k455™)



**Important note:**

This unit must be supplied by a +12Vdc Limited Power source certified to UL 1585-3, Class 2 Wet or certified to UL/IEC/EN 60950-1.

**Red Wire**

Connect this wire to a constant +12V power source.

**Yellow Wire (w/fuse)**

Connect this wire to a constant +12V power source.

**Black Wire**

Connect this wire to the ground of the power source.

**Blue Wire (w/fuse)**

Connect this wire to the (+) power antenna activation circuit. If no power antenna

exists, tape off the end of this wire to prevent shorting out of the unit.

**White wire**

Connect this wire to the left front speaker (+) positive terminal or wire.

**White wire with Black stripe**

Connect this wire to the left front speaker (-) negative terminal or wire.

**Grey wire**

Connect this wire to the right front speaker (+) positive terminal or wire.

**Grey wire with Black stripe**

Connect this wire to the right front speaker (-) negative terminal or wire.

**Green wire**

Connect this wire to the left rear speaker (+) positive terminal or wire.

**Green wire with Black stripe**

Connect this wire to the left rear speaker (-) negative terminal or wire.

**Purple wire**

Connect this wire to the right rear speaker (+) positive terminal or wire.

**Purple wire with Black stripe**

Connect this wire to the right rear speaker (-) negative terminal or wire.

**Notes:**

This unit is designed to connect 4 speakers: If the installation requires only 2 speakers, use the white and grey wire sets to connect the speakers.

**WARNING**

Any wires left unconnected must be taped off or capped off to prevent shorting.

**DO NOT** connect speaker ground wires together.

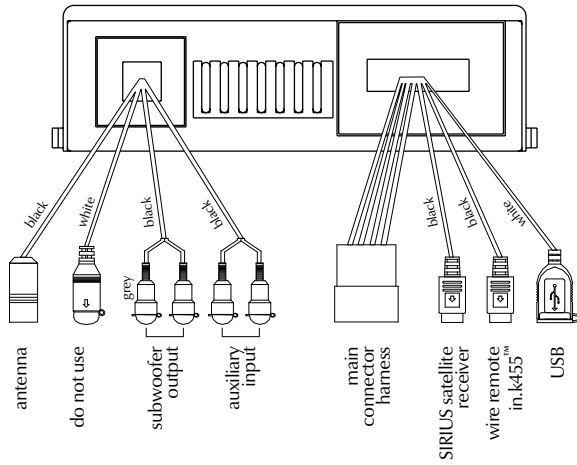
**DO NOT** connect speaker ground wires to the chassis or to the power supply ground.

**DO NOT** connect front and rear speaker wires together.

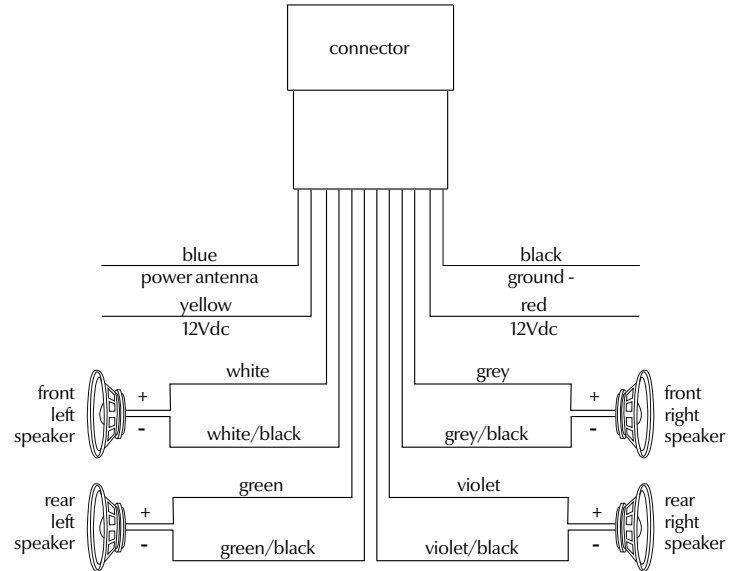
**FAILURE TO FOLLOW ANY OF THESE WARNINGS WILL RESULT IN DAMAGE TO THIS UNIT AND VOIDS THE WARRANTY.**



### Wiring diagram



### Speakers and supply

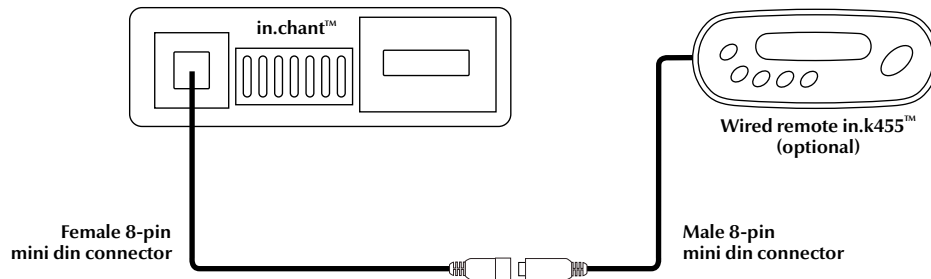




## Connecting keypad to in.chant™

The in.k455™ comes with a 20 ft cable terminated with a 8-pin mini din male connector.

To connect the keypad, simply insert the 8-pin mini din male connector into the 8-pin mini din receptable labelled "wire remote" as illustrated.



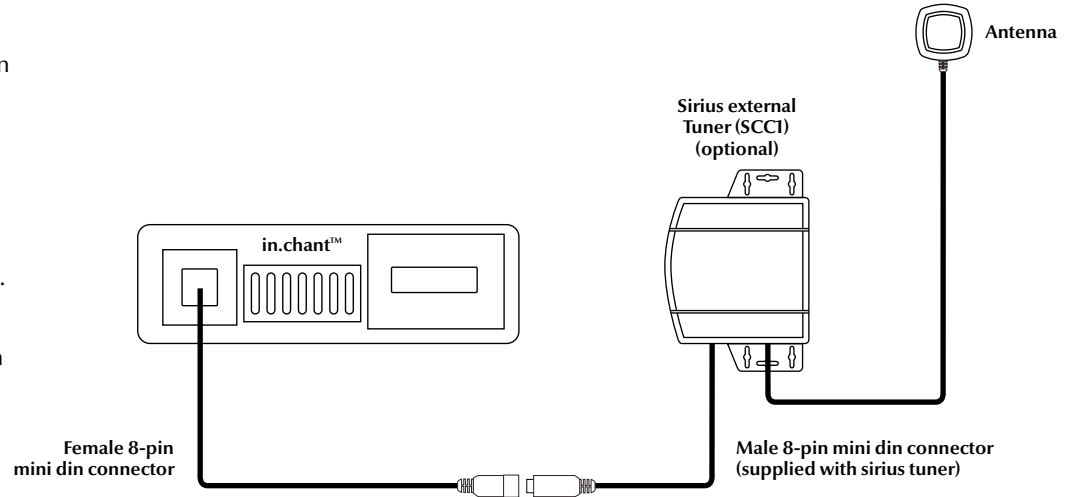


## Connecting SIRIUS external tuner to in.chant™

The SIRIUS tuner comes with an interface cable and magnetic antenna.

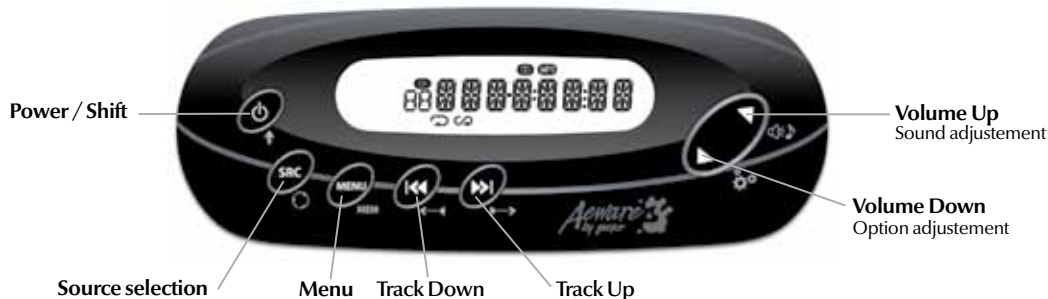
To connect the SIRIUS external tuner, simply insert the 8-pin mini din male connector into the 8-pin mini din receptacle labelled "SIRIUS" as illustrated.

Refer to the satellite tuner operation section for activation procedure (page: 20).



### Warning

The antenna cable must be routed to prevent accidental contact with spa water.



### Turning Power On / Off

Press the Power / Shift key to turn the system on or off.

### Selecting Audio source

Successive presses on the SRC key will navigate between the following audio sources:  
TUNER – USB – AUX – SIRIUS

Note: “SIRIUS” will be displayed only if a satellite receiver is installed.

### Adjusting the volume

Press the Volume Up or the Volume Down keys to increase or decrease the volume.

### Adjusting sound parameters

Press and Hold the Power / Shift key and press once on the Volume Up key to access the Sound adjustment menu. Successive presses on the Volume Up key will navigate between the following parameters:  
SPK – FAD – BAL – BAS – TRB – SUB – EQ

If you select SPK, successive presses on the Track Up or the Track Down keys to adjust your speakers. SPK ALL (All speakers ON) – SPK FRO (Front speakers only) – SPK REAR (Rear speakers only)

If you select FAD (Fader adjustment), BAL (Balance adjustment), BAS (Bass adjustment), TRB (Treble adjustment)



or SUB (Subwoofer volume adjustment) successive presses on the Track Up or the Track Down keys will change the settings.

If you select EQ (Preset Equalizer adjustment) successive presses on the Track Up or the Track Down keys alternates between OFF - JAZZ - POP - ROCK - CLASSIC - VOCAL  
Note that the Bass and the Treble adjustments are available only when EQ is set to OFF.

To leave the Sound adjustment menu, simply press once on any of these keys (Power / Shift, SRC or Menu).

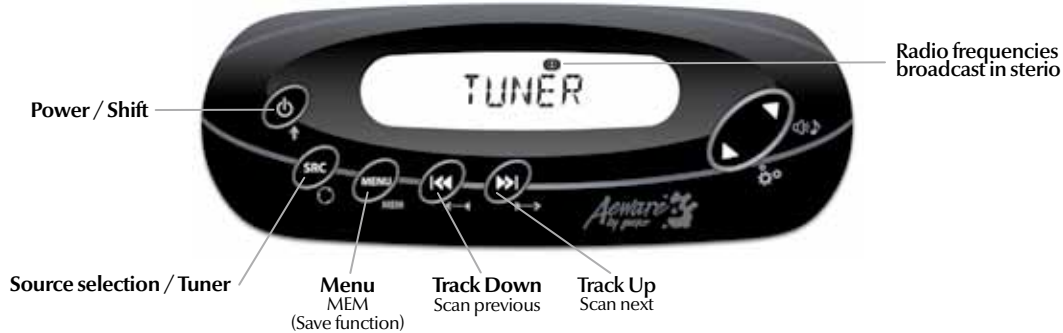
### Adjusting Options

Press and Hold the Power / Shift key and press once on the Volume Down key to access the Option menu. Successive presses on the Volume Down key will navigate between the following parameters: AMERICA / EUROPE (Switch from American to European radio stations). BIP ON / BIP OFF (Set an audible beep when a key is pressed)

Pressing the Track Up or the Track Down keys will change the selected setting.

To leave the Option menu, simply press once on any of these keys (Power / Shift, SRC or Menu).





### Selecting reception band

Successive presses on the MENU key will navigate between the following: AM – FM - FAV

FAV are your preset stations. If no preset stations have been saved, the keypad will display NO FAV.

If you select FAV, successive presses on the Track Up or the Track Down keys will navigate between the stations saved in your Favorites.

If you select AM or FM, successive presses on the Track Up or the Track Down keys will navigate between AM or FM radio reception band.

### Seeking next or previous station

Pressing the Track Up or the Track Down keys will make the Tuner Seek Up or Seek Down to the next station with a strong signal.

### Scanning next or previous station


Press and hold the Power / Shift key and press once on the Track Up or the Track down keys to start a SCAN. Stations are automatically searched for in a sequential order, starting from the station being currently received. Each station will stay on for 5 seconds. Press once the Track Up or the Track Down keys to stop the SCAN.



### **Saving Favorite channels into preset**

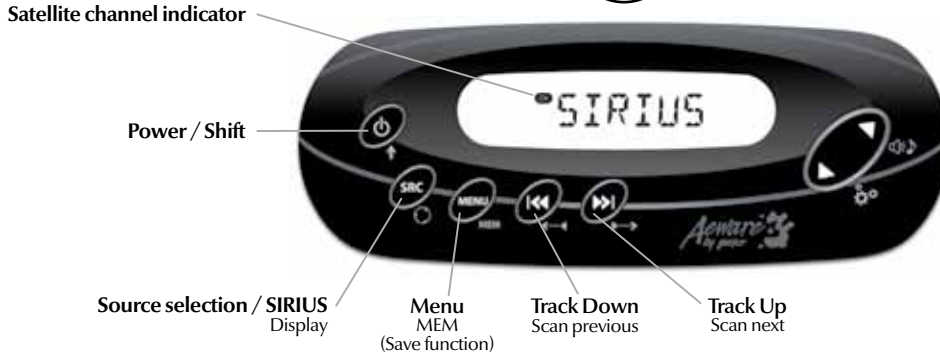
Select the desired station, press and hold the Power / Shift key and press once on the MEM key to save. You can save up to 10 preset stations. Once the memory is full, it will automatically save the desired station over the first one.

### **Receiving a stereo broadcast station**

If a stereo broadcast station is received, the stereo icon  will light.

### **Radio reception**

Radio reception can be affected by environment; atmospheric conditions or radio signal's power and distance from the station can cause impediment in the reception. Nearby mountains and buildings may interfere or deflect radio emission, causing poor reception. Poor reception or radio static can also be caused by electric current from overhead wires or high voltage power lines.



### Important to know

It is necessary to purchase a SIRIUS Tuner, part number SCCI, to receive SIRIUS broadcasting. You also have to subscribe to SIRIUS Satellite Radio. This service is available only in North America.

In order to activate your radio subscription, you will need the SIRIUS ID (SID) which uniquely identifies your tuner. The SID can be found on a sticker located on the SCCI. You will also need to power up your system and make sure you are able to hear audio on channel 184.

You are now ready to contact SIRIUS.

### Selecting channels

Successive presses on the MENU key will navigate between the following sorting preferences: ALL – FAV – GENRE. FAV are your preset stations. If no preset stations have been saved, the keypad will display NO FAV.

If you select ALL or FAV, successive presses on the Track Up or the Track Down keys will navigate between all stations included in the selected parameter.

If you select GENRE, successive presses on the Track Up or the Track Down keys to select a specific GENRE. Press once on the Menu key to confirm your selection.



### Seeking next or previous station

Pressing the Track Up or the Track Down keys makes the Tuner Seek Up or Seek Down to the next station. Press and hold the Track Up or the Track Down keys to browse much faster.

### Scanning next or previous station

Press and hold the Power / Shift key and press once on the Track Up or the Track Down keys to start a SCAN. Stations are automatically searched for in a sequential order, starting from the station being currently received. Each station will stay on for 5 seconds. Press once the Track Up or the Track Down keys to stop the SCAN.

### Saving Favorite channels into presets

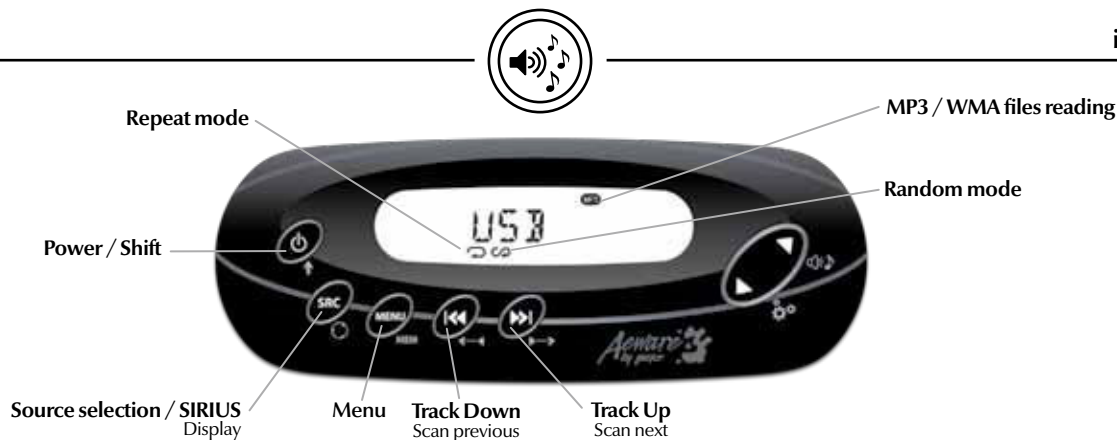
Select the desired station, press and hold the Power / Shift key and press once on the MEM key to save. You can save up to 10 preset stations. Once the memory is full, it will automatically save the desired station over the first one.

### Selecting the item to be displayed

By default, the song title will scroll on your keypad display. Press and hold the Power / Shift key and press once on the Display key to access the menu.

Pressing the Track Up or the Track Down keys will navigate between the following Display preferences: SONG (Song Title) – ARTIST (Artist name) – STATION (Station name) – ALL

To leave the Display menu, wait for 5 seconds without pressing any keys.



### Important to know

The device may not play inauthentic MP3 or WMA files. You can either copy all files in the ROOT directory or create Folder (PLAYLIST).

### Warning

Turn OFF the unit to insert your USB drive. Failure to do so may damage your USB drive or cause the system to malfunction.

The USB panel mount holder should be located so that the user will need to exit the spa to insert the USB drive.

### Selecting songs or categories

Pressing the MENU key will toggle between the following sorting preferences: PLAY ALL – FOLDER.

To select PLAY ALL, toggle the menu key until PLAY ALL is displayed and press the Track Up or the Track Down keys. The Track Up or Track Down keys will navigate between all songs on the USB stick. Press and hold the Track Up or the Track Down keys to browse faster.

To select FOLDER, toggle the menu key until FOLDER is displayed and press the Track Up or Track Down keys. Successive presses on the Track Up or Track Down keys will navigate between your different folders. Press the Menu key once to confirm your selection.



### Seeking next or previous songs

Pressing the Track Up or the Track Down keys makes the Tuner Seek Up or Seek Down to the next song.

### Scanning next song or previous song

Press and hold the Power / Shift key and press once on the Track Up or the Track down keys to start a SCAN. Songs are automatically searched for in a sequential order, starting from the song being currently played. Each song will stay on for 10 seconds. Press once the Track Up or the Track Down keys to stop the SCAN.

### Selecting the item to be displayed

By default, the song title will scroll on your keypad display. Press and hold the Power / Shift key and press once on the Display key to access the menu. Pressing the Track Up or the Track Down keys will navigate between the following Display preferences: SONG (Song Title) – ARTIST (Artist name) – ALBUM (Album name) – ALL

To leave the Display menu, wait for 5 seconds without pressing any keys.


Note: Nothing will display if the file contain no song information (ID3 TAG).


### Adjusting RANDOM and REPEAT option

Press and Hold the Power / Shift key and press once on the Volume Down key to access the Option menu. Successive presses on the Volume Down key will navigate between the following parameters: AMERICA / EUROPE – BIP OFF / BIP ON – RDM OFF / RDM TRK – RPT ALL / RPT TRK

Press the Track Up or the Track Down keys to change the selected setting.

The RDM (Random) mode is available only in PLAY ALL mode.

When the Random mode is set to TRK (Track) the icon  will light.

When the Repeat mode is set to TRK (Track) the icon  will light.

To leave the Option menu, simply press once on any of these keys (Power / Shift, SRC or Menu).



Optional panel mount  
USB port



Optional SIRIUS  
connect universal tuner  
(SCCI)

**Sold separately**

For more information about accessories,  
visit our website at [www.geckoalliance.com](http://www.geckoalliance.com)

Designs are subject to change without prior notice.

**Model:**

in.chant™.100

**Environmental:**

- Operating temperature: 0°C (32°F) to 50°C (122°F)
- Storage temperature: -25°C (-13°F) to 85°C (185°F)
- Humidity: up to 85% RH, non condensing
- Water Ingress: IPx5

**Mechanical:**

- Weight: 2 LBS (0.9 kg)
- Dimensions: (W x H x D)

8 1/4" x 6 3/4" x 2 1/2"

(210mm x 171mm x 64mm)

**Electrical specifications**

- Voltage Input: 12 V DC  
(10-14.5V allowable)
- Current Input: 10A Peak
- Output power: 4 x 40 W
- Impedance: 4 or 8 ohms

**Audio source - AM/FM tuner:****AM specification**

- Frequency Range 530-1710 KHz
- Usable Sensitivity 32 dBuV
- Signal to noise Radio 50 dB

**FM specification**

- Frequency Range 87.5 - 107.9 MHz
- Sensitivity 8 db
- Signal to Noise Radio 60 db
- Tuning European or North America

Specifications and design are subject to change without prior notice.





## Audio source

**Auxiliary in:** Stereo RCA connectors

### USB connection:

- Type: USB 2.0
- Mass storage: Up to 32 Gb
- File format: WMA and MP3
- Song name display: Yes
- Arborecence: Supported - 1 level

### SIRIUS ready connection:

- Tuner supported: SIRIUS Connect  
Universal Tuner  
SCCI

## Other input/output

### Subwoofer:

- Voltage variable output: 0 - 2 Volts max.(adj in setup)
- Impedance 33 Ohms

### Power antenna:

- Voltage output: 12 V DC
- Current: 0.2 Amps

### Keypad connection:

- Compatible model: in.k455™

## Approvals for Europe & Australia

EN/IEC 60335 - 2 - 60:2003/2002 - (incl. Corr. & Am. up to 2008)

EN/IEC 60335 - 1:2002/2001 (incl. Corr. & Am. up to 2006)

EN55014-1

EN61000-3-2

EN61000-3-3

FCC: EN55013/CISPR13

EN55020/CISPR20

Specifications and design are subject to change without prior notice.

9919-101140-D  
Rev. 03/12

© Groupe Gecko Alliance Inc., 2012  
All trademarks or registered trademarks  
are the property of their respective owners.

### Gecko Alliance

450 des Canetons, Quebec City (QC) G2E 5W6 Canada, 1.800.78.GECKO  
9225 Stellar Court, Corona, CA 92883 USA, 951.667.2000

[www.geckoalliance.com](http://www.geckoalliance.com)

