

air.wav

High performance blowers
for therapeutic baths & whirlpools



Techbook



Specifications & installation instructions



Topics covered in this manual are as follows:

Warnings	4
Overview.....	5
Technical specifications.....	6
Installation.....	7
Keypad connections (if any).....	8
User instructions note.....	8

WARNINGS



Warning:

Failure to comply with the following warnings may significantly shorten the life of the blower and lead to failures as well as hazardous conditions (fire, electric shock or fatal injury).

Air:way blowers sold by Gecko cannot be modified, altered or substituted in any way without prior written approval from Gecko.

All inputs and outputs of Gecko's Alliance air:way blowers must be used according to their intended use, as outlined in their specifications.

All OEM's end-product documentation provided to the end-user or to qualified personnel must include all pertinent safety information.

This documentation must also state that, if the air:way blower is damaged, it is NOT to be used and should be replaced immediately to insure end-user's safety.

Incorrect installation or utilization of the air:way blower and its accessories may be dangerous to the end-user.

If the air:way blower is not physically located above the highest possible level of tub water; the air:way blower system shall be provided with two independent levels of protection to prevent water backflow from contacting live parts. Such protection may include an air loop, a check valve, or any construction that can provide the necessary degree of protection as investigated by a pertinent safety agency.

There are no user serviceable parts inside, therefore air:way blower enclosure shall never be opened.

Construction of OEM'S end-product must take into account any engineering considerations that may be listed in a regulatory agency's report. OEM should seek out the pertinent approvals files of the agencies/laboratories and review them to ensure the end-product meets the requirements for a given application.

Material of the end-product located in the surrounding area of the air:way blower should not ease the propagation of fire.

The OEM's end-product should be installed in a location not to be subjected to splashing or flooding.

The air:way blower must be connected to a circuit protected by a Class A ground fault circuit interrupter. All low-voltage wires/cables should be routed separately from high-voltage wires/cables and accessories.

To ensure to a good air flow for the air:way blower it's recommended to provide an air intake (trap) area of at least 8" x 8".

Install the air:way blower out of bather's reach (at least 5 feet away).

Disposal of the air:way blower:



The air:way blower must be disposed of separately in accordance with the local waste disposal legislation in force.

*Air.wav series
of high performance blowers for therapeutic baths & whirlpools*

► Overview

Universal, compact, quiet and powerful, air.wav is a high performance blower that features an 850W motor (120V or 240V), an optional silencer, an optional heater, as well as thermal protection for motor and heater.

Air.wav's true plug & play design makes it easy to install, to connect and to use. Available with different types of connectors and optional integrated electronic controls, air.wav is fully compatible with Gecko's complete line of electronic controls for whirlpools, therapeutic baths, spas and hot tubs which also makes it an excellent choice for retrofit applications.

► Optional Features:

Silencer (see illustration on next page)

Once installed, air.wav silencer only adds 79 mm (3.1") to the blower system. Small and efficient, air.wav silencer is strongly recommended for bath tub applications because it cuts noise levels at the air intake by about 10 db.

Air heater

Air.wav provides a heater capable of providing strong and constant heat. Included is a thermal protection for added safety.

- 300W
- 600W (suggested)
- 800W

Integrated electronic board

Air.wav offers the possibility of integrating different types of electronic control boards 120 or 240V (contact us for more details).

- MAS-TH
- MAS-THH
- MAS-TH-DCF
- ...

Input cable types

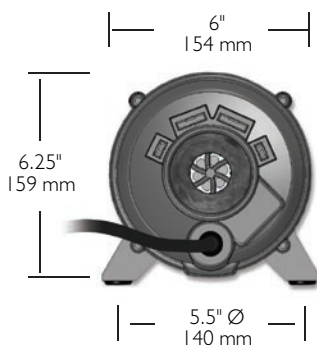
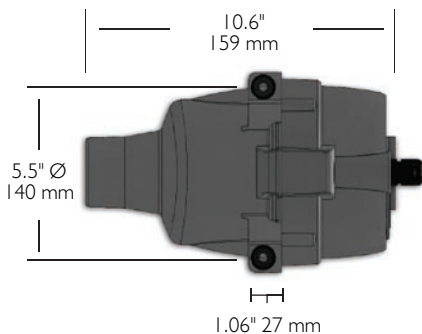
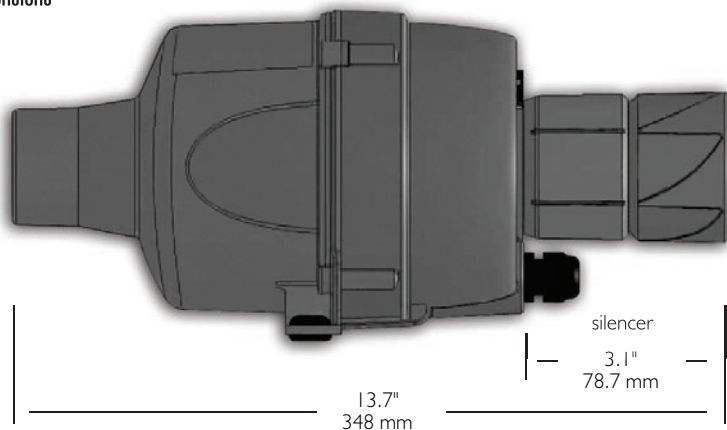
- Nema
- AMP
- JJM
- In.link
- Bare wires

TECHNICAL SPECIFICATIONS

Air.wav series

of high performance blowers for therapeutic baths & whirlpools

► Dimensions



► Ratings

- Voltage Input: 120V / 240Vac
- Current Input: 6.8 A / 3.4 A
- Frequency: 50Hz - 60 Hz
- Type: Monophasic

► Airflow & Pressure

The air.wav 850W motor develops with a 35mm (1.4") diameter opening:

- Pressure: 4.2 kPa (17" H₂O)
- Airflow: 2.7 m³ / min
(95 cubic feet / min)

Specifications and design are subject to change without notice.

Warning:



Air.wav must be located in a place accessible by a trap door (for service)

► Blower installation

- Carefully read all safety instructions in the warning section of this manual prior to installation.

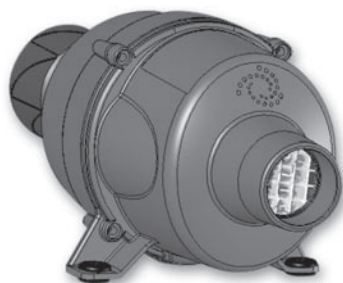
Air.wav blower is equipped with fastening brackets. Use 2 #8 screws of appropriate length to fix unit to the surface.

Recommended applicable torque on the brackets:

Minimum: 24 lbs/ft

Maximum: 30 lbs/ft

Although Air.wav blower fits standard 2" piping, it's recommended to use flexible piping to better reduce vibrations.



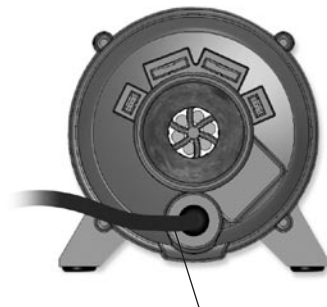
Fastening brackets

► Power input:

Power must remain OFF until all connections are completed!

All electrical connections must be carried out in accordance with national and/or local electrical codes in force in the state or province at the time of installation.

Carefully read operating instructions to ensure safety and proper operation.



120 or 240 VAC power input cable

KEYPAD CONNECTIONS (IF ANY)

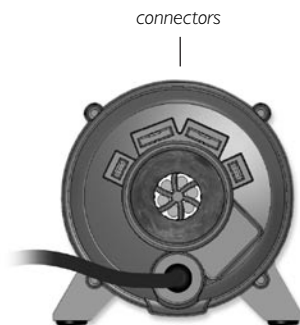
*Air:wav series
of high performance blowers for therapeutic baths & whirlpools*

► **If you have to connect a keypad:**

Please refer to the installation instructions supplied with the system you purchased.

► **User Instructions Note:**

Air:wav systems are shipped with user instructions (QRC). Please refer to the appropriate QRC for more details.





air.wav

High performance blowers
for therapeutic baths & whirlpools



Gecko Alliance

450 des Canetons, Quebec City (QC) G2E 5W6
Canada, 1.800.78.GECKO

9225 Stellar Court, Corona, CA 92883 USA
951.6672000

www.geckoalliance.com

