

maelstrom™

VMS-1

Quick Start Guide

VMS-1

The quietest massage pump in the spa industry



Compact

Energy-efficient

Massage experience

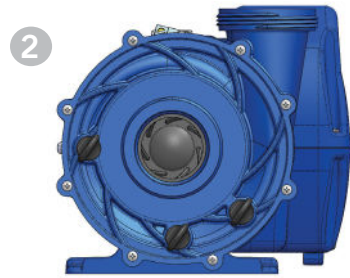
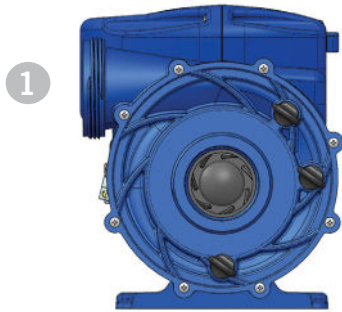
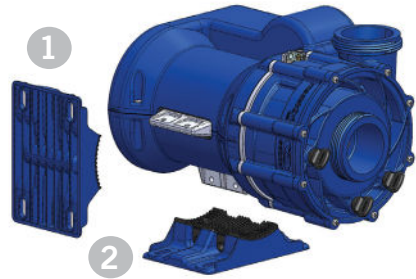




Step 1

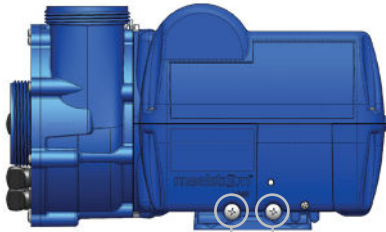
Installation

The VMS-1 pump can be installed in two different orientations: with the water output on top of the pump pushing water vertically or with the water output on the side of the pump pushing water horizontally. See pictures below.



To change the pump orientation, you must remove the two Phillips screws holding the mounting bracket to the pump.

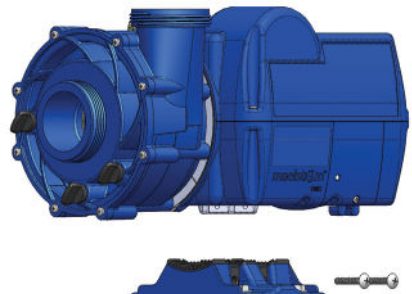
Select the most appropriate location on the floor for the VMS-1 and firmly attach the stand to the wooden base using four screws backed by four washers.



Two Phillips screws



Warning! Do not overtighten these screws when reinstalling the bracket. Torque above 8 lb/in is considered excessive and might damage the rubber, and overtightening the rubber mount will increase the vibration transmission.



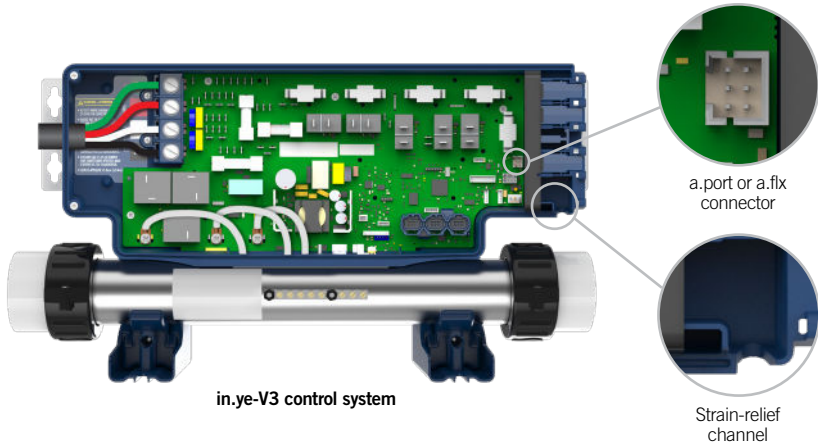


Step 2

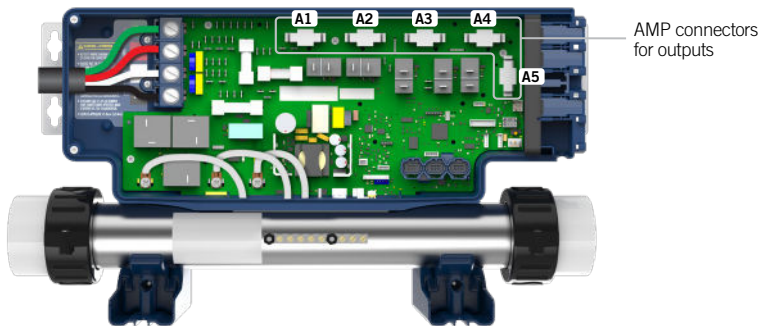


Turn off power before connecting the VMS-1 to the spa control system.

Once the mounting bracket is installed in the desired orientation, open the spa controller and connect the communication cable from the pump to the six-pin connector labeled **a.port** or **a.flx** depending on the spa controller version. When you are facing the open spa controller, the connector is on the right side.



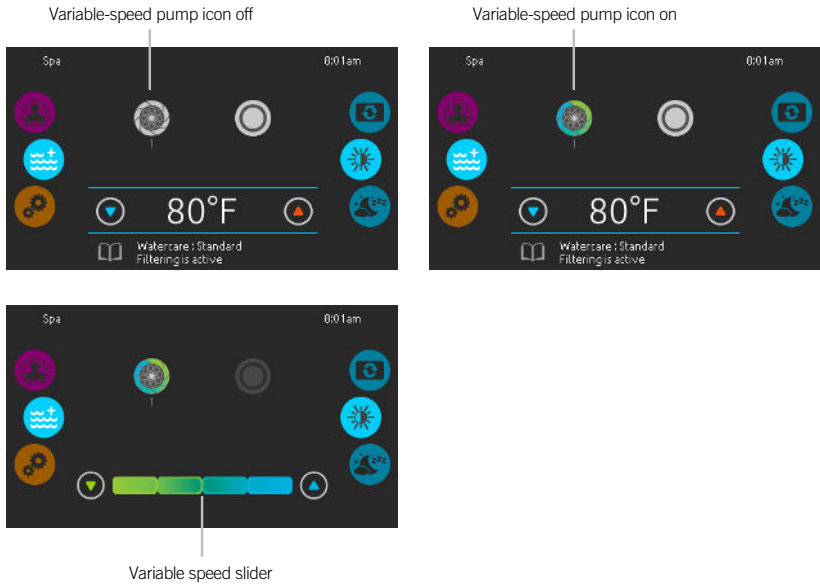
Then connect the pump power cable to the spa controller. Make sure you use the output specified in your spa controller's low-level configuration. Close the spa controller enclosure and turn the power on.





Step 3

On an in.k1000, if the pump is detected a special variable-speed pump icon will show up. To start the pump, click on the icon. A small slider will pop up to allow speed adjustment of the pump.



WARNING

Risk of electric shock. Connect only to a branch circuit protected by a ground-fault circuit-interrupter (GFCI). Contact a qualified electrician if you cannot verify that the circuit is protected by a GFCI.

When initialising the spa control, please wait 30 seconds before operating the VMS-1. Failure to do so could affect the pump initialisation process and force a reboot of the spa control.



After VMS-1 is de-energized, there will be a residual charge in the units. Wait at least two minutes before opening the covers to allow sufficient time for the capacitor to dissipate stored energy.

CAUTION HOT WATER

NECESSARY PRECAUTIONS ARE REQUIRED TO PREVENT INJURIES WITH THIS SAMPLE. VMS-1 is water cooled and recuperates part of the heat generated by the control circuit and motor. With this demo unit, the temperature of the water could increase over the safety level, even when the external heater is off. With the Beta filtration and heating Demo mode, the VMS-1 is set to run at 800 RPM and will run as long as the power is on. Standard safety features will be implemented with standard filtering/heating features with the first production release.



Gecko Alliance

450 des Canetons, Québec (Qc), G2E 5W6 Canada,
1.800.78.GECKO
www.geckoalliance.com