

in.k455

audio wired remote control with display



TechBook

Giving full control to wet fingers!



Aware
by gecko



Table of contents

overview	3
function/ icon description	4
installation	
- drilling template	5
- installation in.k455 with adhesive.....	6
connections	
- connecting in.k455 to the in.xm set up.....	7
- connecting in.k455 directly to in.tune	8
functions	
- on/off key.....	9
- source key	9
- band key.....	9
- track down key	9
- track up key	10
- up/down key.....	10
specifications	11





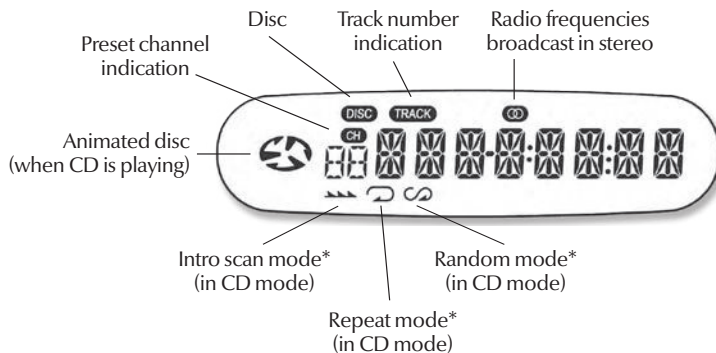
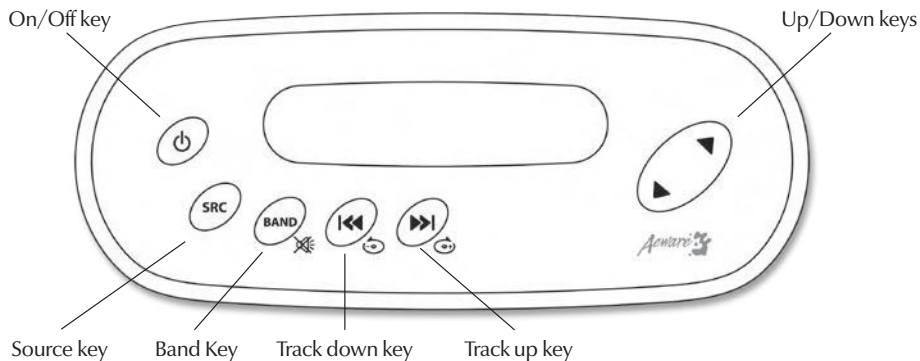
in.k455

Compact series of wired remote controls with display

In.k455 is an audio wired remote control for Aeware's in.tune am/fm receiver/cd player that features a large LCD display with easy to read characters, intuitive icons and 7 backlit raised keys.

This new series of audio-featured keypads comes in a waterproof plastic enclosure and can be integrated to Aeware's in.xm spa systems or connected to an in.tune stand-alone application.

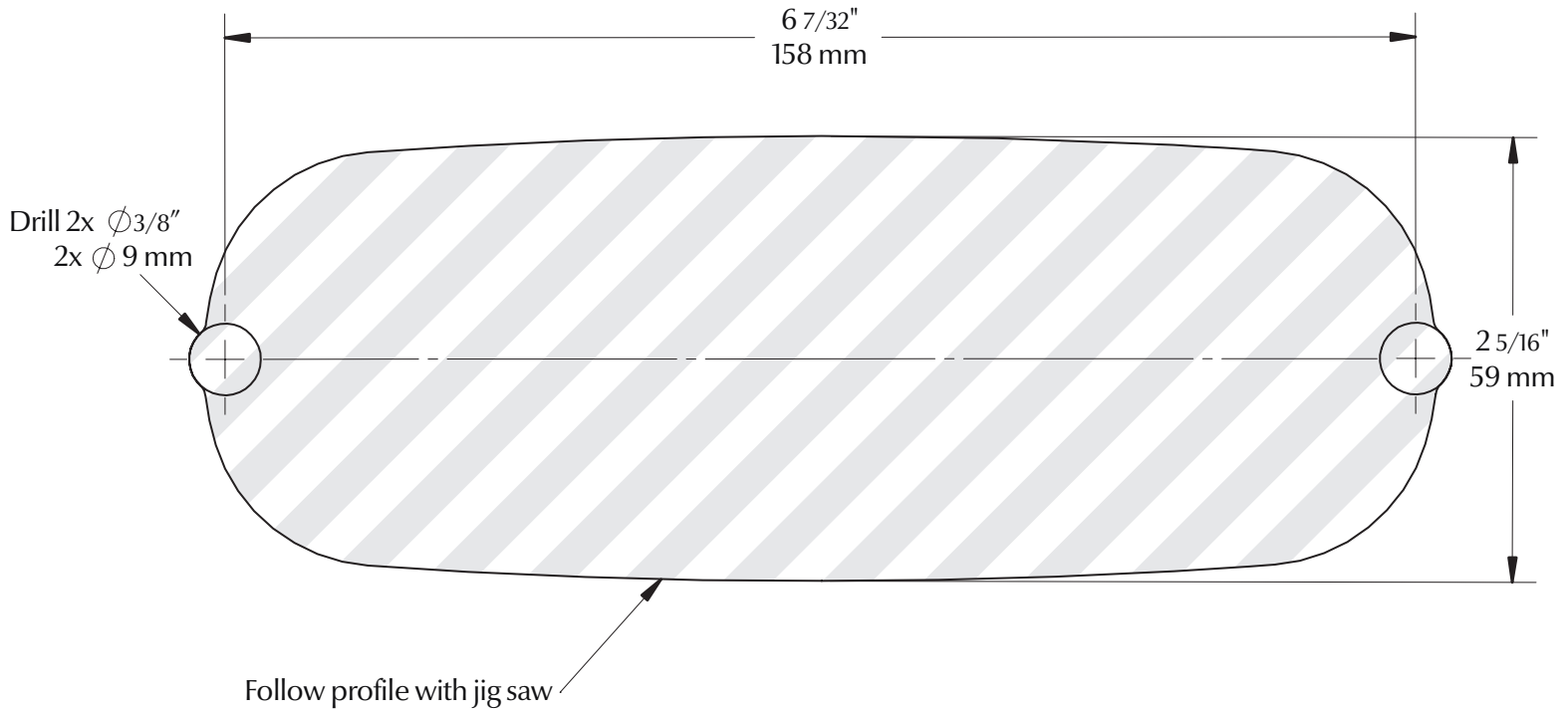
Easy to install, in.k455 comes with a mini-din connector.



* Option accessible through the in.tune only



Drilling template

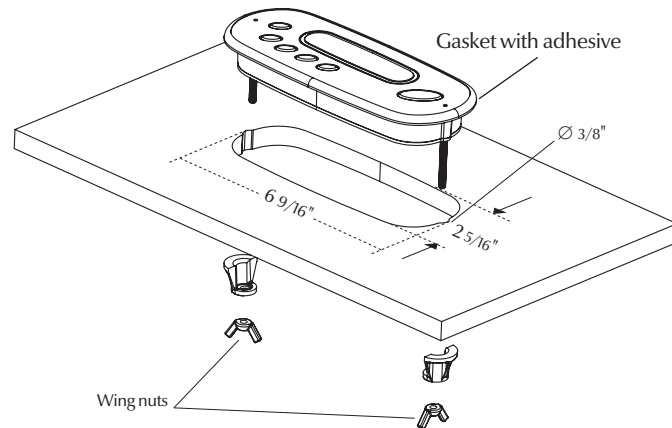
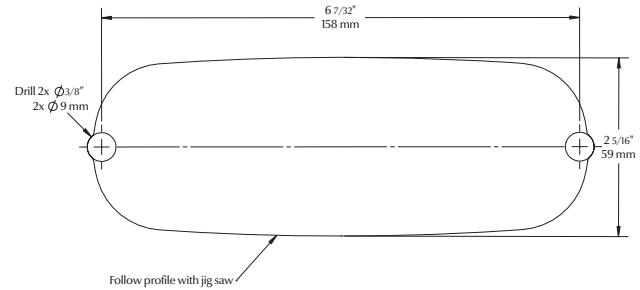




Installation in.k455 with adhesive

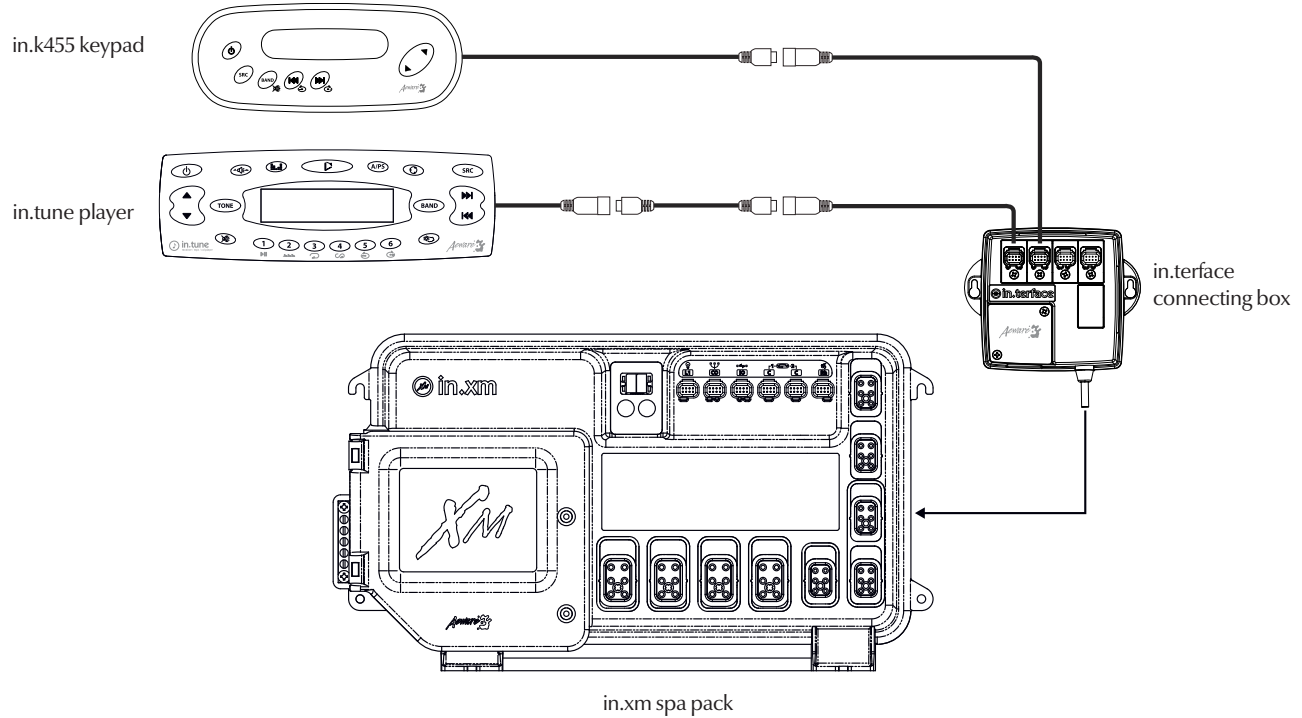
The keypad should be installed directly onto the spa (or very close to it) so that it is easily accessible to the user.

- Using the drilling template supplied with the unit, determine the mounting location and then stick the template on the location.
- Drill two 3/8" (9 mm) diameter holes at 6 7/32" (158 mm) from center to center, in the exact position according to the drilling template.
- Cut out and remove the material between the two holes following the profile with a jig saw (see illustration).
- Clean the installation surface and peel the adhesive gasket from the back of the keypad.
- Insert keypad and align it correctly, then secure it properly in place by using the two wing nuts provided.





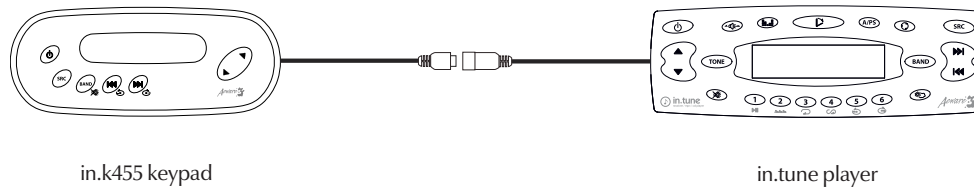
Connecting in.k455 keypad to the in.xm set up

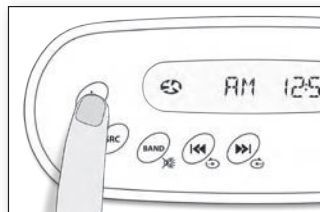




Connecting in.k455 keypad directly to in.tune

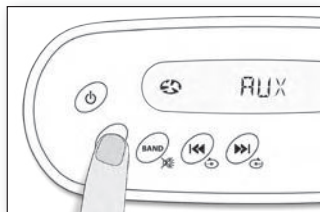
The in.k455 keypad can be connected directly to the in.tune player.





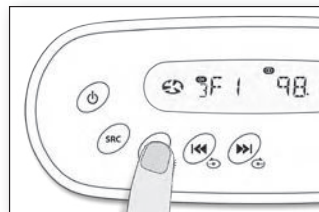
On/Off key

Press **Power** to turn unit On/Off.



Source key **SRC**

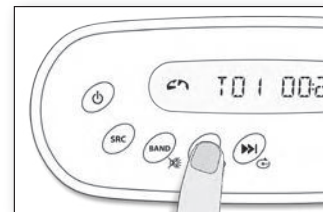
Select the source: (Tuner/CD/CD Changer/AUX).



Selecting radio band

Press to select the **BAND**. Each time this button is pressed, the band changes between FM1, FM2, FM3, AM1, AM2, WB (WEATHER).

Press and hold the **BAND** key to mute the audio output. Press and hold it again to return to previous volume level.

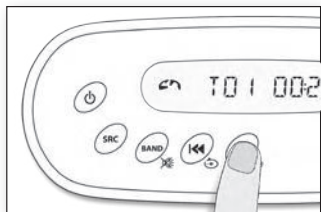


Track down key

Radio mode: Quick press to skip to the previous memorized radio station (Preset Station).

CD mode: Quick press to skip to previous song.

CD Changer mode: Quick press to skip to the beginning of the song currently playing. Press and hold key to skip to the previous album.

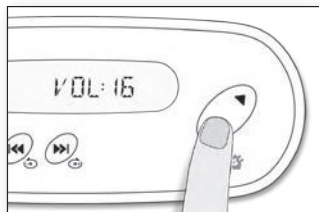


▶▶ | ↻ Track up key

Radio mode: Quick press to skip to the next memorized radio station (Preset Station).

CD mode: Quick press to skip to next song.

CD Changer mode: Quick press to skip to next song. Press and hold key to skip to the next album.

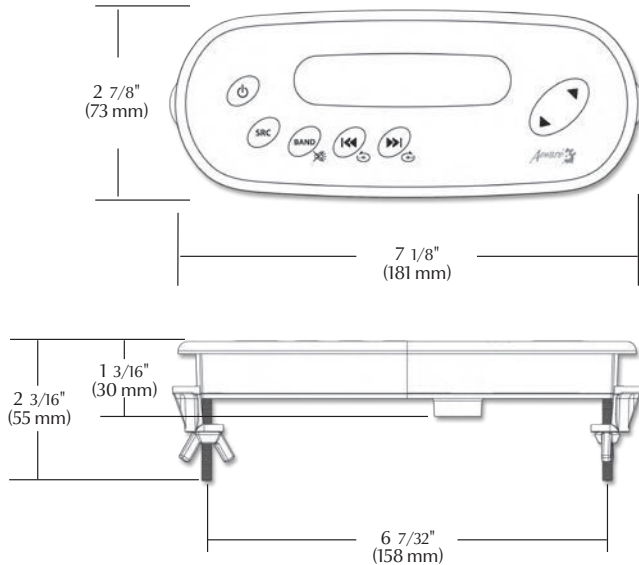


▲ ▼ Up/Down keys ▲ ▼

Press **Up** or **Down** key to increase or decrease volume.



Dimensions:



General specifications:

Environmentals:

Storage temperature: 70°C (158°F) to -30°C (-22°F)

Operating temperature: 60°C (140°F) to -20°C (-4°F)

Humidity: up to 95% condensing

Mechanical Specs:

Weight: 0.52 kg (1.2 lbs)

Dimensions (W x H x D): Front Panel:

181 mm x 73 mm x 55 mm

(7 1/8" x 2 7/8" x 2 3/16") Soft gasket

Standards:

UL 1563 Fifth Ed. File: E182156

CSA No. 22.2 - 218.1-M89



Specifications and design are subject to change without notice.

Gecko Alliance

450 des Canetons, Quebec City (QC) G2E5W6 Canada, 1.800.78.GECKO
9225 Stellar Court, Corona, CA 92883 USA, 1.866.639.7274

www.geckoalliance.com

