

in.k100

series of auxiliary keypads



User's manual



Giving full control to wet fingers!



Aeware
by gecko



Table of contents

overview	3
function description	4
general specifications	5
instructions	
- pump keys	6
- light key	6
installation & connections	7





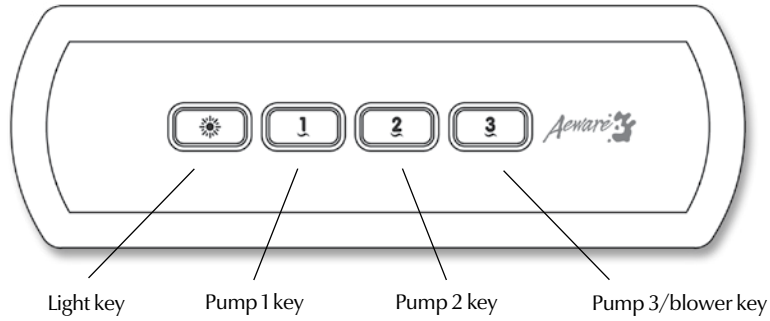
in.k100

Advanced series of auxiliary keypads that gives complete control to wet fingers!

In.k100 is a compact auxiliary keypad designed to be used with in.xm spa systems.

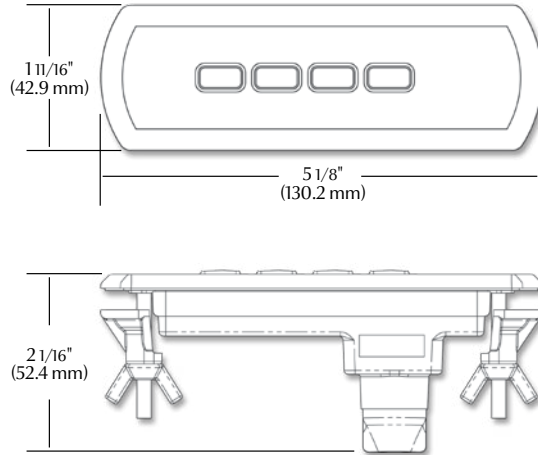
Available in dual pump & blower or three pump configurations, in.k100 offers OEMs and spa users the flexibility of a secondary control.

Its waterproof plastic enclosure is available in 3 colors (light gray, dark gray and marble). Easy to install, in.k100 comes with an in.link connector.





Dimensions:



General specifications:

Environmentals:

Storage temperature: 70°C (158°F) to -30°C (-22°F)

Operating temperature: 60°C (140°F) to -20°C (-4°F)

Humidity: 100% condensing

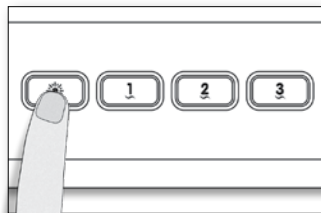
Mechanical Specs:

Weight: 0.41 kg (0.9 lbs)

Dimensions (W x H x D): Front Panel:
130.2 mm x 42.9 mm x 52.4 mm
(5 1/8" x 1 11/16" x 2 1/16") Soft gasket

Standards: UV resistance (ASMT D4329)
UL, CSA, TUV and CE

Specifications and design are subject to change without notice.



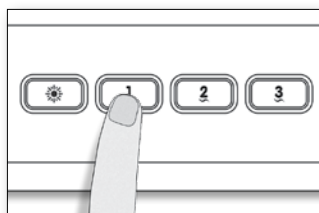
Light key

Press **Light** key to turn light on at high intensity.

Pressing a second and a third time reduces light intensity.

A fourth time turns light off.

A built-in timer automatically turns light off after 2 hours, unless it has been manually deactivated first.



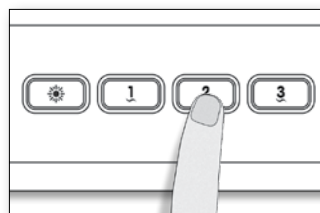
Pump 1 key 1

Press **Pump 1** key to turn pump 1 on at low speed.

Press a second time to turn pump to high speed (with a dual-speed pump).

A third time turns pump off.

A built-in timer automatically turns pump off after 20 minutes, unless pump has been manually deactivated first.



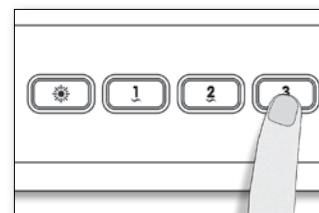
Pump 2 key 2

Press **Pump 2** key to turn pump 2 on at low speed.

Press a second time to turn pump to high speed (with a dual-speed pump).

A third time turns pump off.

A built-in timer automatically turns pump off after 20 minutes, unless pump has been manually deactivated first.



Pump 3/blower key 3

Press **Pump 3/blower** key to turn pump 3/blower on.

Press a second time to turn pump off.

A built-in timer automatically turns pump off after 20 minutes, unless pump has been manually deactivated first.

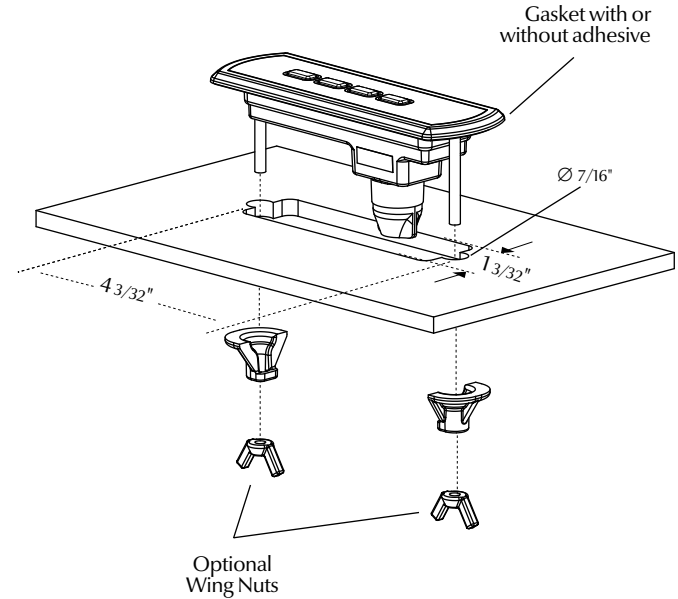


Installing the in.k100

To install the in.k100, use the drilling template provided in this section. Determine the mounting location and stick the template on chosen place. You must cut out a rectangular shape opening of $4\frac{3}{32}$ " by $1\frac{3}{32}$ " according to the drilling template (see illustration).

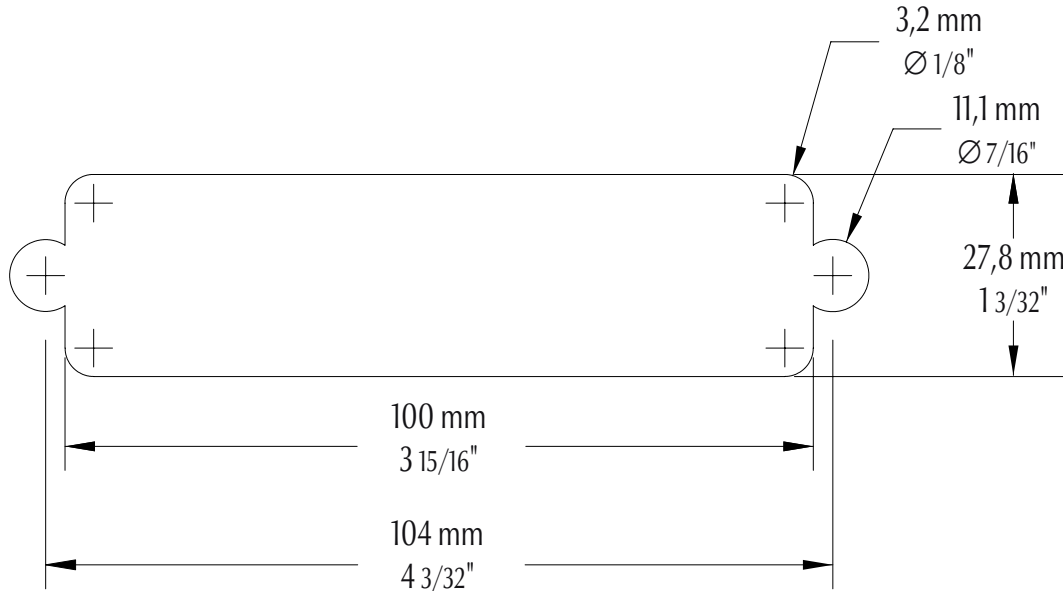
Clean the installation surface and peel the adhesive gasket from the back of the keypad.

Insert keypad and align it correctly, then ensure it's properly glued by gently pressing evenly on the entire surface.





Drilling Template

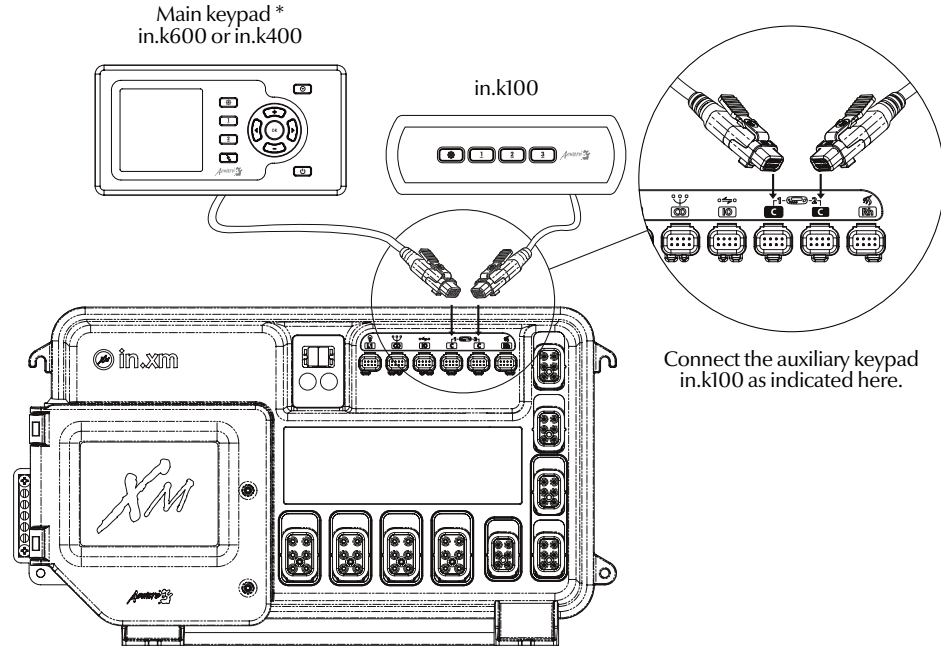




Connecting in.k100 auxiliary keypad to in.xm

The in.k100 comes with a 20 ft cable and an in.link connector.

To connect the in.k100, simply insert its in.link connector into the appropriate keypad connector (as illustrated).



* A main keypad is needed to fully access all functions

Gecko Alliance

450 des Canetons, Quebec City (QC) G2E5W6 Canada, 1.800.78.GECKO
9225 Stellar Court, Corona, CA 92883 USA, 951.6672000

www.geckoalliance.com

